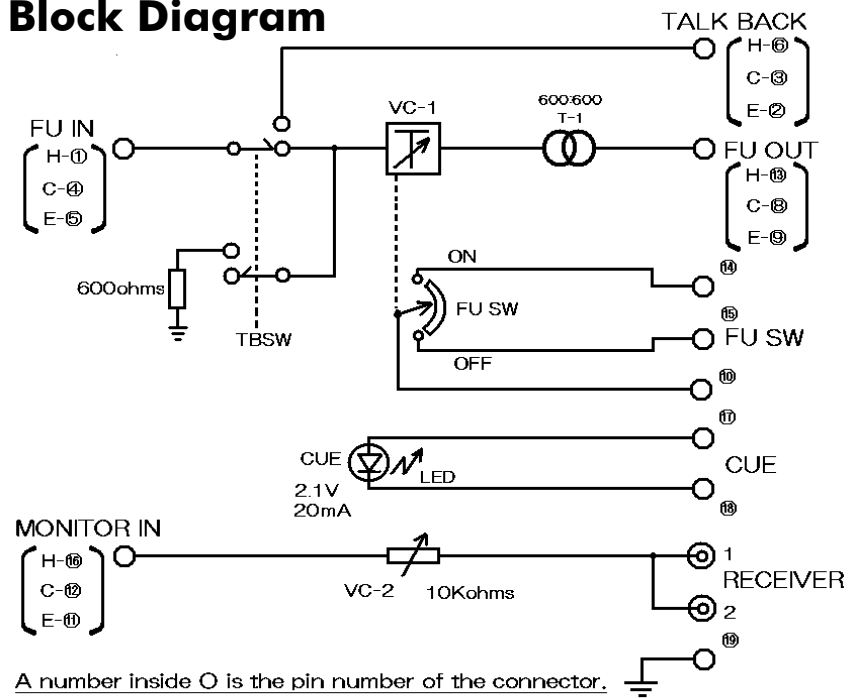


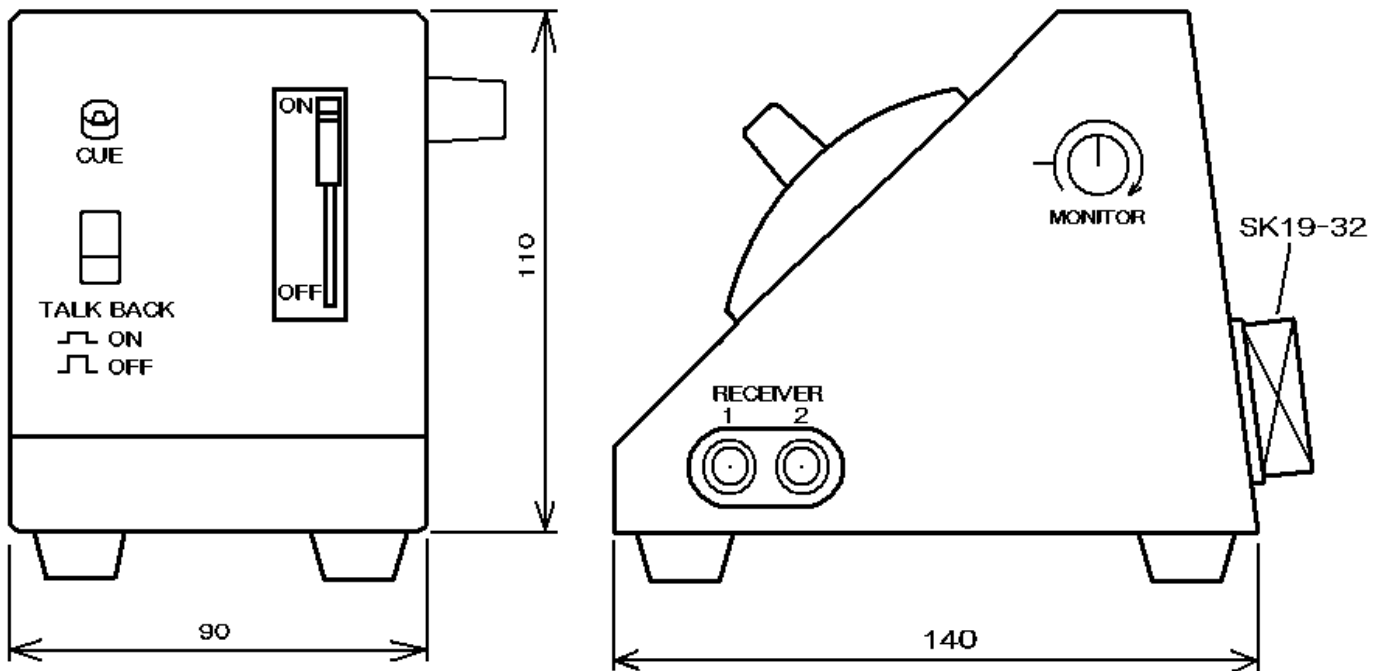
MINI COUGH-83



Block Diagram



Dimensions



Specifications

Maximum input level	+24dBm
Monitor maximum input level	0.5W
Circuit	600 ohms T
Attenuation	≥80dB
Monitor jack	Two suitable for monitor jack No.110
Power supply	+2.1V
Weight	1.3Kg
Accessories	SK19-21C5/8
Measurement	90W x 110H x 140D