

# CP2500 (Attenuator)

# ATTENUATOR

## Conductive Plastic

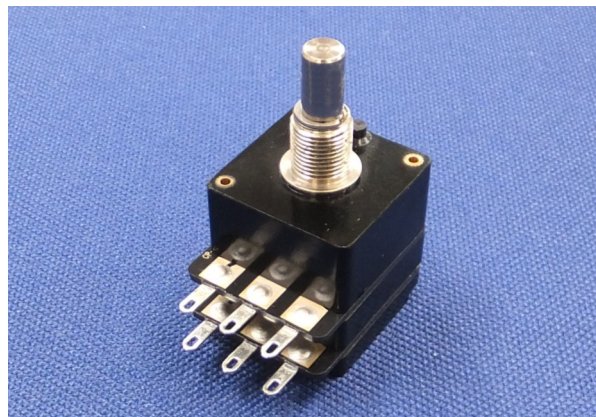
Low rotational noise level

## Small size

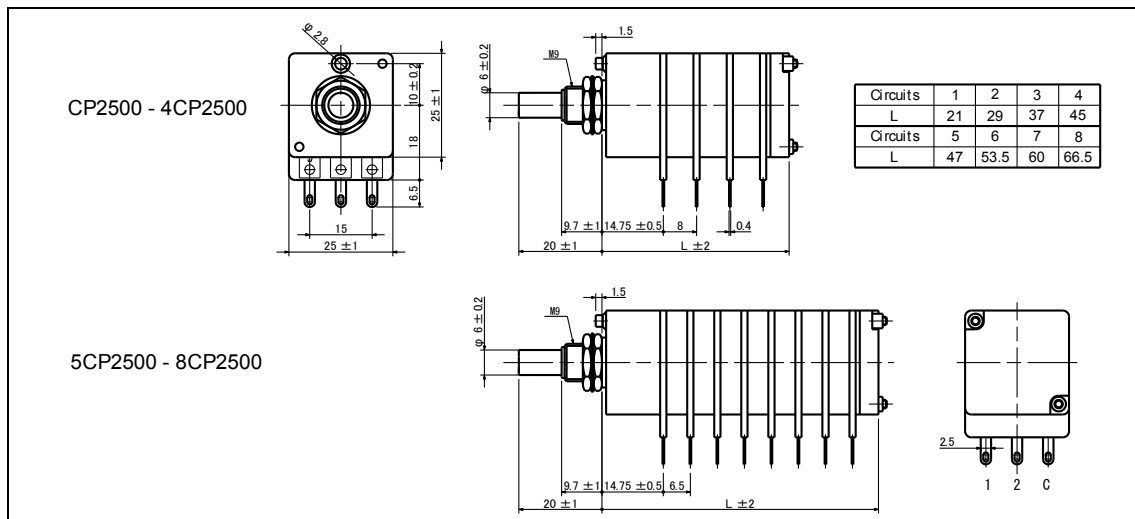
25mm square

## High Quality

All parts are highly precise



## Dimensions



## Output Law

Load: High impedance

Degrees (CW-CCW)	0	15	30	45	60	75	90	105	120	135	150	165	180	195	210	225	240	255	270	285	300
Attenuation [dB]	0	2	4	6	8	10	12	14	16	18	20	22	24	27	30	33	37	42	48	58	Cut off

## Model number

**2**

Number of circuit (2~8)  
Blank: single circuit

**CP2500**

Product type

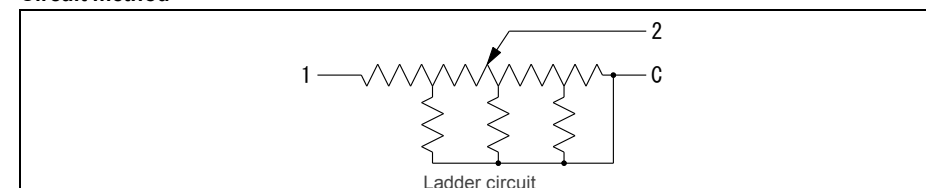
**S**

Mechanical click option  
Blank: Without click  
S: With click (15degrees step)  
C: Center click

- **10K**

Total resistance

## Circuit method



## Electrical specifications

	CP2500
Circuit (Unbalanced)	Ladder circuit
Attenuation direction	CCW (Large attenuation & cut off) - CW (Small attenuation)
Total resistance (1-C)	5k, 10k, 50k, 100kohm
Total resistance tolerance	±20%
Attenuation accuracy (Load: high)	0~10dB: ±1.0dB, ~30dB: ±2.0dB, ~42dB: ±3.0dB
Matching accuracy	0~10dB: 1.0dB, ~30dB: 1.5dB, ~42dB: 2.5dB
Insertion loss	0.5dB or less
Cut off (15kHz)	85dB Min.
Voltage proof	1 Min. at AC500V
Insulation resistance	50Mohm or more at DC500V
Max rating	DC20V (0.1W)
Rotational noise level	47mV or less (by JIS C 6443)
Rotational life	100,000 Cycles Min. (18cycles/min, Sliding noise level: Less than 100mV)

## Mechanical specifications

	CP2500
Operating angle	300 degrees ±5 degrees
Rotational torque	0.1~1.5Ncm (Different by number of circuit)
Strength of Nut-Attached	50Ncm
Attached Parts	Hexagonal nut (M9)
Stopper strength	50Ncm
Push-pull strength	50N

## General specifications

	CP2500
Temp. range	-10 to +70 degrees C (Operating), -15 to +75 degrees C (Storage)
Relative humidity	90%RH (No condensation)

## Note

- \* This product is constructed by a ladder circuit. Cannot use it for a rheostat use (a use to change a resistance level).
- \* Solder heat resistance: 350degrees C max, 5sec max, to 2 times. (Manual soldering only)
- \* Special order of the shaft length is possible. Please contact us for details.