

# PAH Series

## 3.5mm dia. Stereo plug(Jack) type

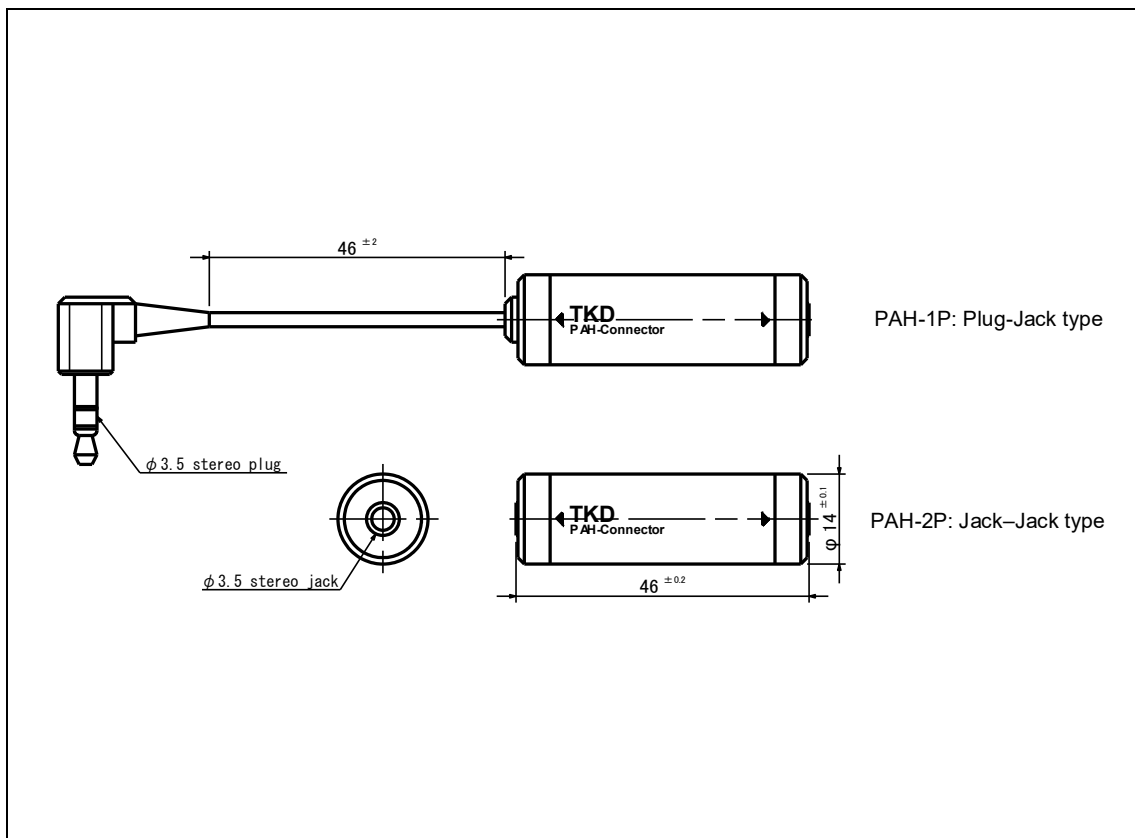
Available for portable audio systems.

## Pad connector

Attenuator of the audio signal.



## Dimensions



## Model number

### PAH-1P

Please see dimension.  
PAH-1P: Plug-Jack type  
PAH-2P: Jack-Jack type

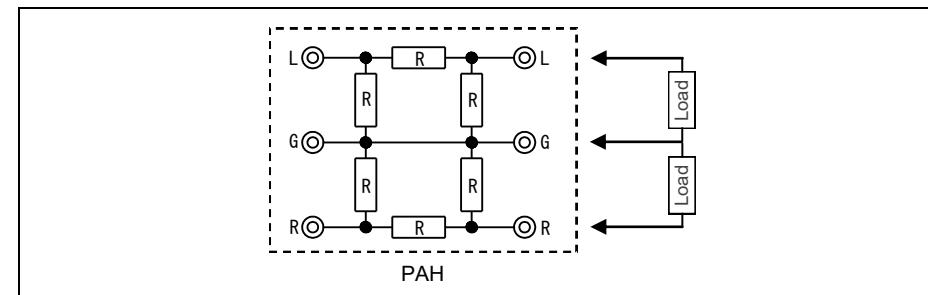
### - 10

Attenuation  
10: 10dB  
20: 20dB

### - 16

Impedance  
16: 16ohm  
32: 32ohm  
64: 64ohm  
600: 600ohm  
5k: 5kohm  
10k: 10kohm

## Circuit method



## Electrical specifications

	PAH series
Number of circuits	2
Attenuation	10dB, 20dB
Impedance	16ohm, 32ohm, 64ohm, 600ohm, 5kohm, 10kohm ±3%
Attenuation accuracy	±0.5dB (16ohm, 32ohm, 64ohm, 600ohm, 5kohm) ±1.0dB (10kohm)
Matching accuracy	0.5dB or less
Frequency range	20Hz - 20kHz
Voltage proof	1 Min. at AC100V
Insulation resistance	50Mohm or more at DC100V
Max rating	0.2W

## Other specifications

	PAH Series
Temp. range	-10 to +50 degrees C (Operating), -15 to +60 degrees C (Storage)
Relative humidity	80%RH (No condensation)

## Note

\* The specifications indication is not done by the body surface.

\* This product is a precision part. Please give me the handling not to give the shock that is strong in the body.