

Type-P2510, Type-P2520 Series

ATTENUATOR

Au-plated contacts

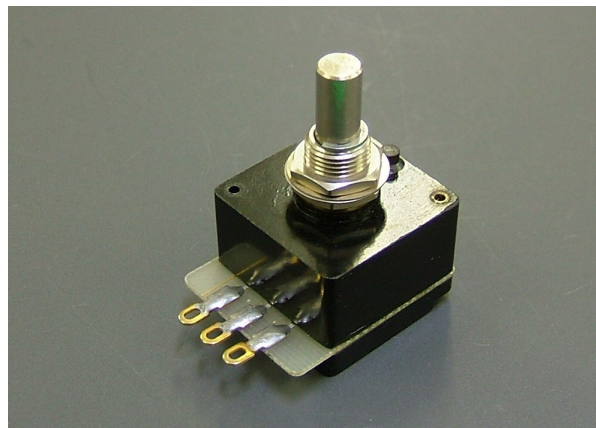
Low contact resistance

Small size

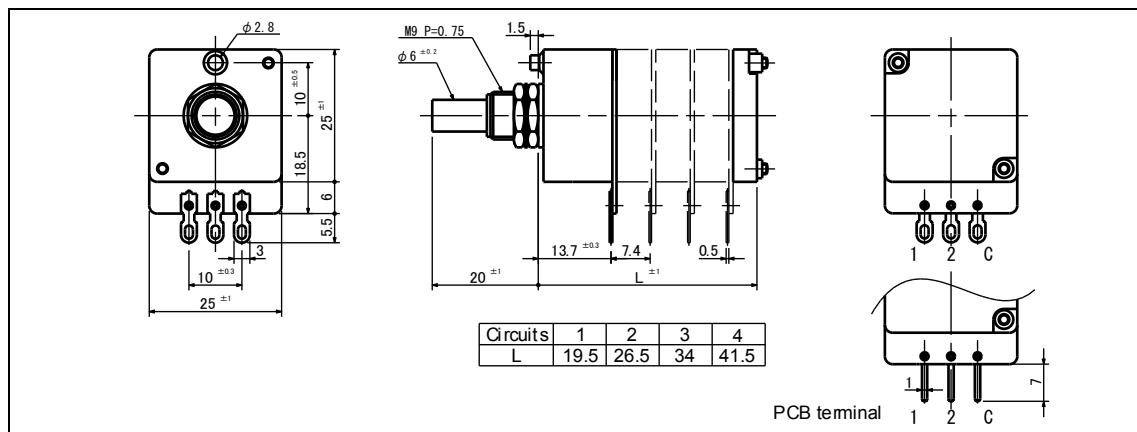
25mm square

Multiple contact

22 or 21 positions



Dimensions



Standard lineups

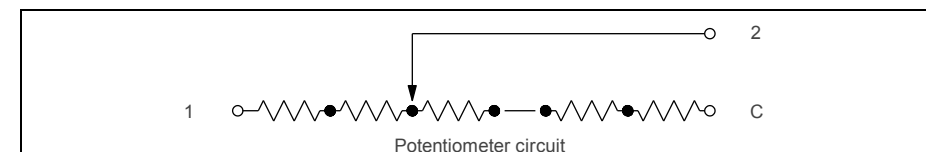
Model number	Max attenuation	Attenuation types	Total number of steps	Cut off	Direction of attenuation				
P2511	50dB	BTS-50dB	21	With	CCW				
P2512			20	-					
P2513			21	With					
P2514			20	-					
P2515	20dB	1dB x 20	21	With		CW			
P2516			20	-					
P2517	10dB	0.5dB x 20	21	With			CW		
P2518			20	-					
P2523	40dB	2dB x 20	21	With				CW	
P2524			20	-					
P2525	20dB	1dB x 20	21	With	CW				
P2526			20	-					
P2527	10dB	0.5dB x 20	21	With					CW
P2528			20	-					

The products and their specifications are subject to change without notice.
TOKYO KO-ON DENPA CO., LTD. www.tkd-corp.com EDA-201607

Model number

2	P2512	S	- P	- 10K
Number of circuit (2-4) Blank: single circuit	Model No. (P2511~P2528)	Mechanical click option Blank: Without click S: With click (15degrees step)	Terminal type Blank: Soldering terminal P: PCB terminal	Total resistance

Circuit method



Electrical specifications

P2510, P2520 Series	
Circuit method	Potentiometer (stepped)
Attenuation (Load: high)	0, 2, 4, ... (2dB step)..., 30, 32, 34, 37, 42, 50 (BTS-50dB)
Attenuation accuracy	±0.3dB
Max attenuation	50dB ±0.6dB (BTS-50dB)
Cut off	80dB Min.
Matching accuracy	0.5dB or less (0dB - 50dB)
Number of circuit	1 ~ 4
Total resistance	1kohm, 7kohm, 10kohm, 100kohm ±3%
Insertion loss	0.3dB or less
Input level	Max. 0.1W
Frequency range	DC ~ 20kHz
Voltage proof	1 Min. at AC500V
Insulation resistance	100Mohm or more at DC500V
Rotational life	30,000 Cycles Min. (18cycles/min, Attenuation accuracy: ±0.5dB or less)

Mechanical specifications

P2510, P2520 Series	
Operating angle	15degrees x (Total number of steps) ±2degrees
Step angle	15degrees ±1degrees
Strength of nut-attached	50Ncm
Attached parts	Hexagonal nut (M9)
Stopper strength	50N
Push-pull strength	50N

Other specifications

P2510, P2520 Series	
Temp. range	-10 to +70 degrees C (Operating), -15 to +75 degrees C (Storage)
Relative humidity	90%RH (No condensation)

Note

- * Solder heat resistance: 350degrees C max, 5sec max, 2 times. (Manual soldering only)
- * Special order of the shaft length is possible. Please contact us for details.
- * High impedance: Infinity. (or more than 20 times of total resistance)