

LSVA Series

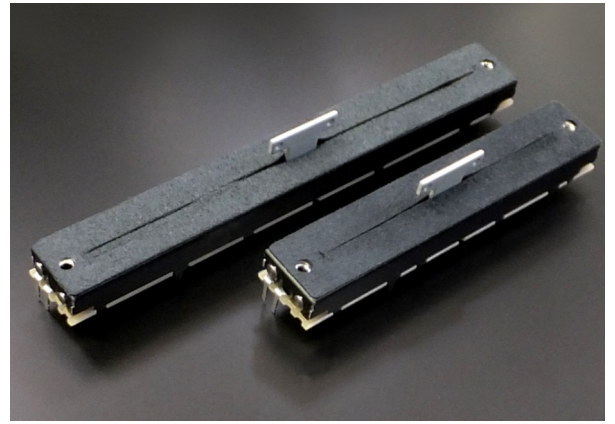
PROFADER™

Direct print resistance board

Special surface treatment (Long sliding life)

3 kinds of stroke length

100mm, 60mm, 45mm

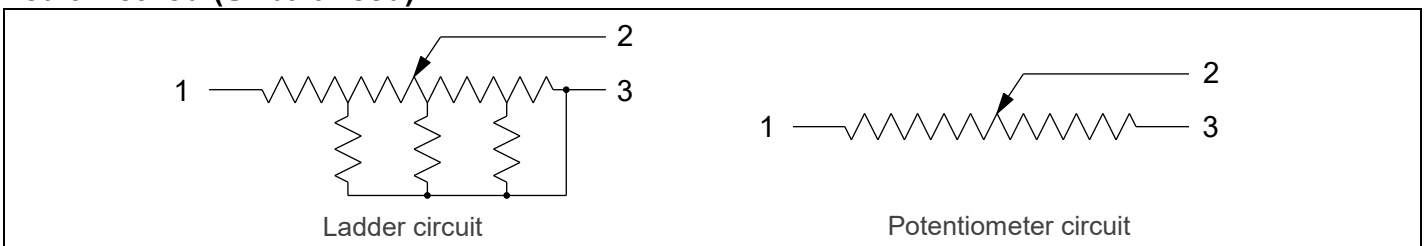


Model number

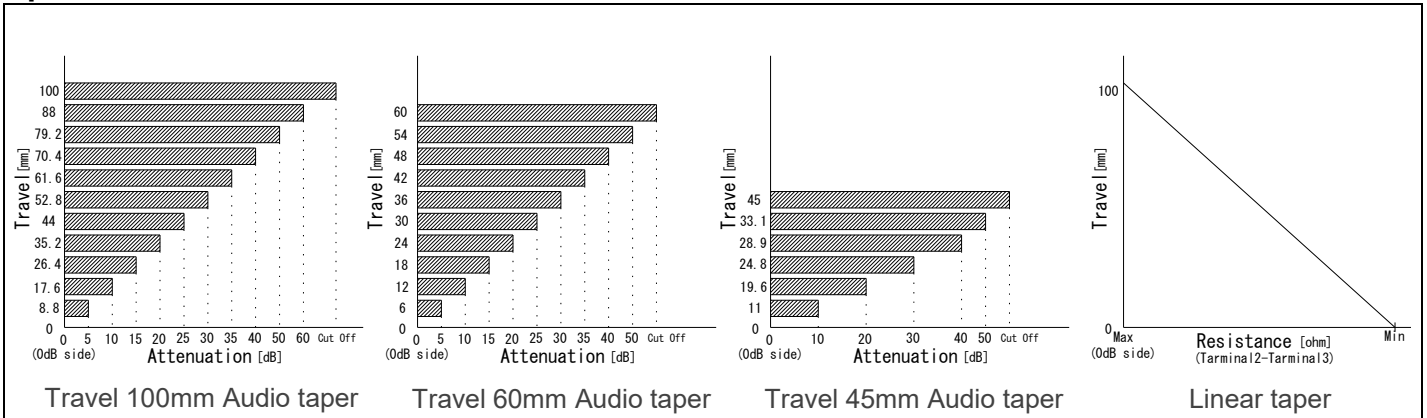
2 **LSVA-110** **0** **D** - **B** **10K**
 *1 *2 *3 *4 *5 *6

*1	Number of circuit	Blank: Single circuit 2: Two circuits
*2	Product number and Travel	LSVA-110: 100mm LSVA-610: 60mm LSVA-450: 45mm
*3	Operating force	0: Standard 1: High operating force <small>*Only "High type" with CP-1 or CP-2 is applicable for the vertical use.</small>
*4	Dust cover	Blank: Without D: With
*5	Output law (Please see figure of output law.)	Blank: Audio taper B: Linear taper
*6	Total resistance	10K: 10kohm

Circuit method (Unbalanced)



Output Law



Electrical specifications

	LSVA-****	2LSVA-****	LSVA-****-B	2LSVA-****-B
Circuit (Unbalanced)	1	2	1	2
Total resistance (1-3)	10kohm			
Total resistance tolerance	±20%			
Taper	Audio taper (Ladder circuit)		Linear taper (Potentiometer circuit)	
Linearity	-		±5%	
Residual resistance	-		50ohm or less	
Attenuation accuracy (Load: high)	0~20dB: ±3.0dB		-	
Matching accuracy	-	0~20dB: 3.0dB	-	
Insertion loss	0.5dB or less		-	
Cut off (15kHz)	95dB Min.		-	
Voltage proof	1 Min. at AC500V			
Insulation resistance	50Mohm or more at DC250V			
Max rating	DC20V (0.1W)			
Sliding noise level	47mV or less (by JIS C 6443)			
Sliding life	100,000 Cycles Min. (18cycles/min, Sliding noise level: Less than 100mV)			

Mechanical specifications

	LSVA-1100 Series	LSVA-6100 Series	LSVA-4500 Series
Stroke length	100mm±0.5mm	60mm±0.5mm	45mm±0.5mm
Operating force	0~0.1N (Standard), 0.1~0.4N (High operating force)		
Strength of Nut-Attached	100Ncm		
Attached Parts	M3 screw (Length: Panel thickness + 3mm)		
Stopper strength	30N		
Push-pull strength	30N		

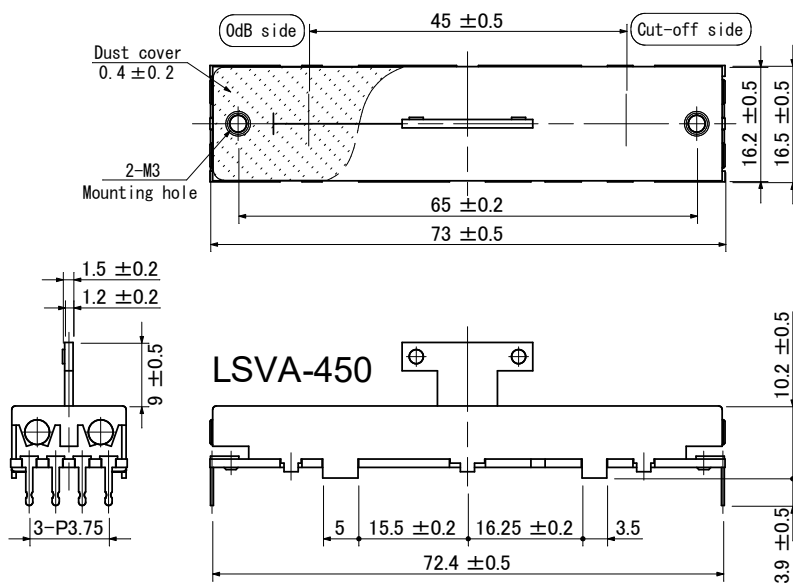
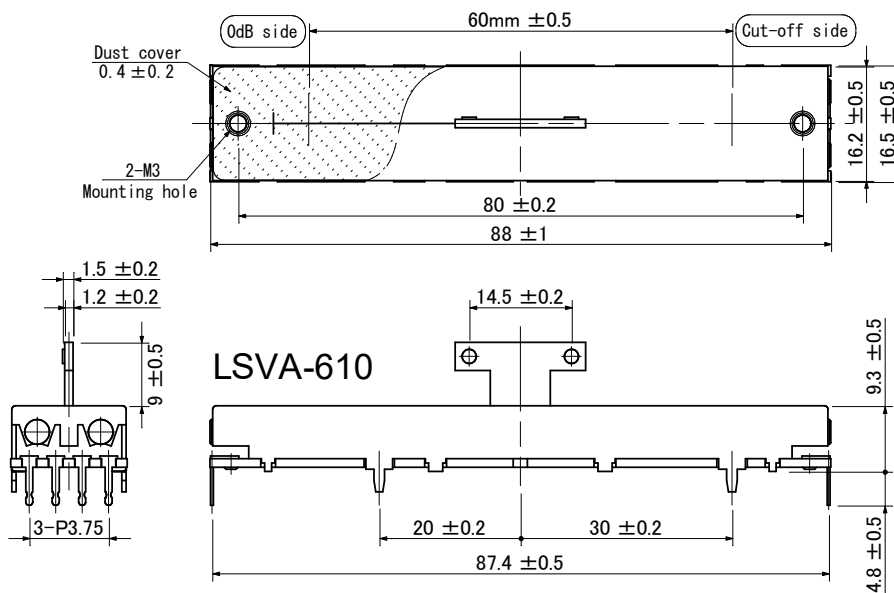
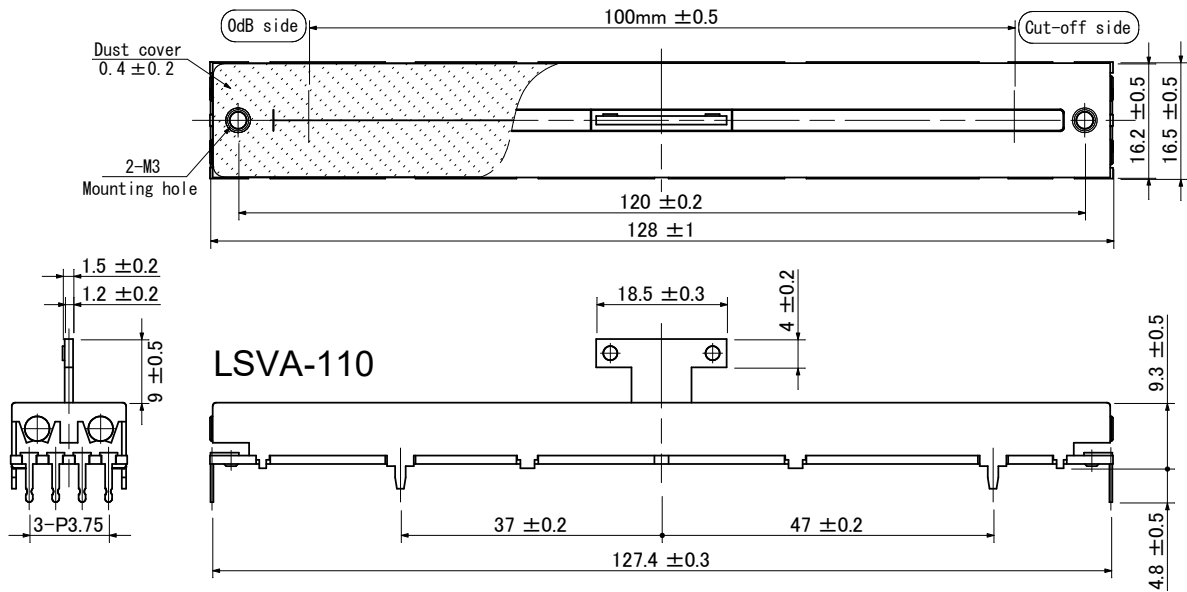
General specifications

	LSVA Series
Temperature range	-10 to +70 degrees C (Operating), -15 to +75 degrees C (Storage)
Relative humidity	90%RH (No condensation)

Note

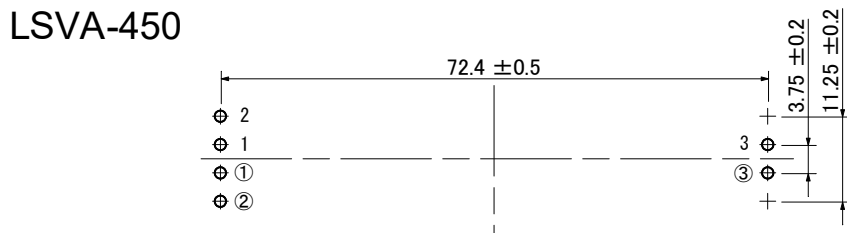
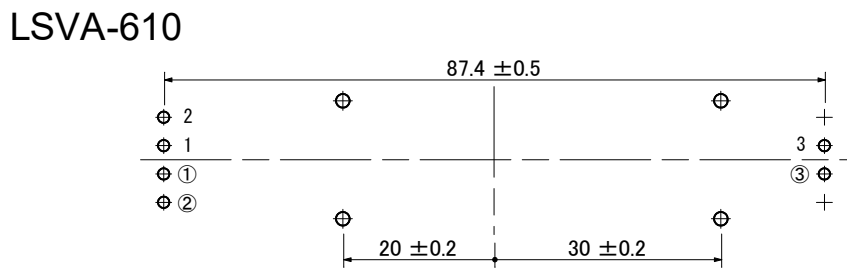
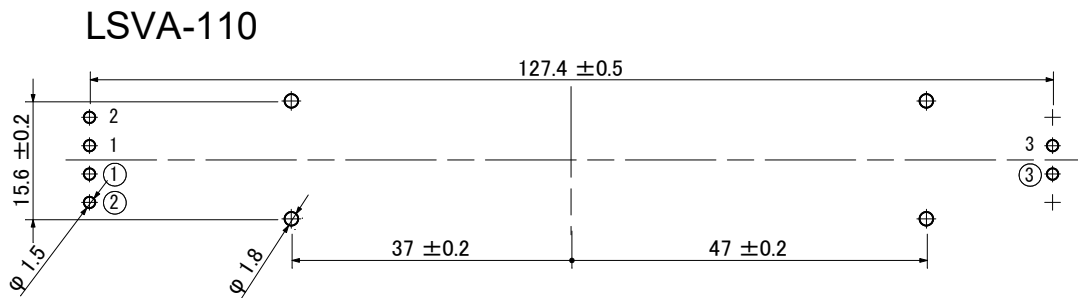
- * Solder heat resistance: 350deg C max, 5sec max, 2 times. (Manual soldering only)
- * Please take care during soldering that the smoke from the solder does not flow inside a fader.
- * If the flux sticks to a resistor board, it may cause a trouble with the fader.
- * Move to one end in Control-bar on the occasion of knob wearing, and can break into it slowly.
- * It is highly recommended that the fault tolerant system is to be set up in the big situation like the live broadcast.

Dimensions

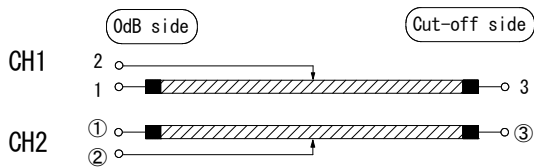


Dimensions

P.C Board Mounting hole detail (Viewed from mounting side)

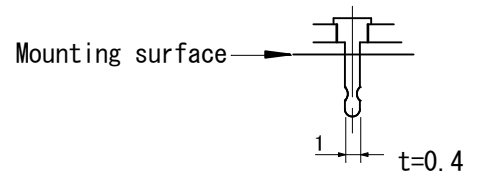


Terminations

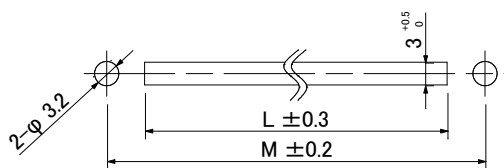


The single unit is not provided with terminal CH2.

Terminal style



Panel cut out dimensions



- L=112mm M=120mm LSVA-110
- L=72mm M=80mm LSVA-610
- L=57mm M=65mm LSVA-450

The products and their specifications are subject to change without notice.