

LSVH Series

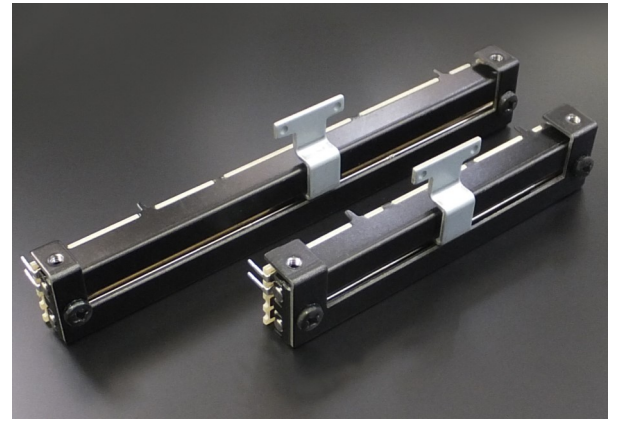
PROFADER™

Direct print resistance board

Special surface treatment (Long sliding life)

Protection against dust

Horizontal style Control-bar design.

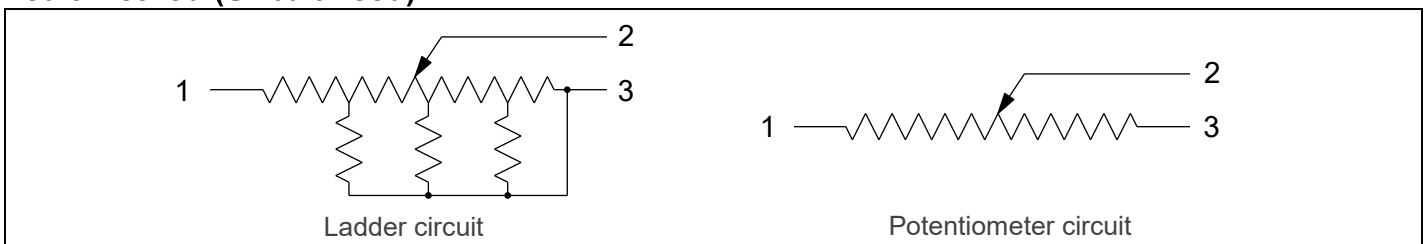


Model number

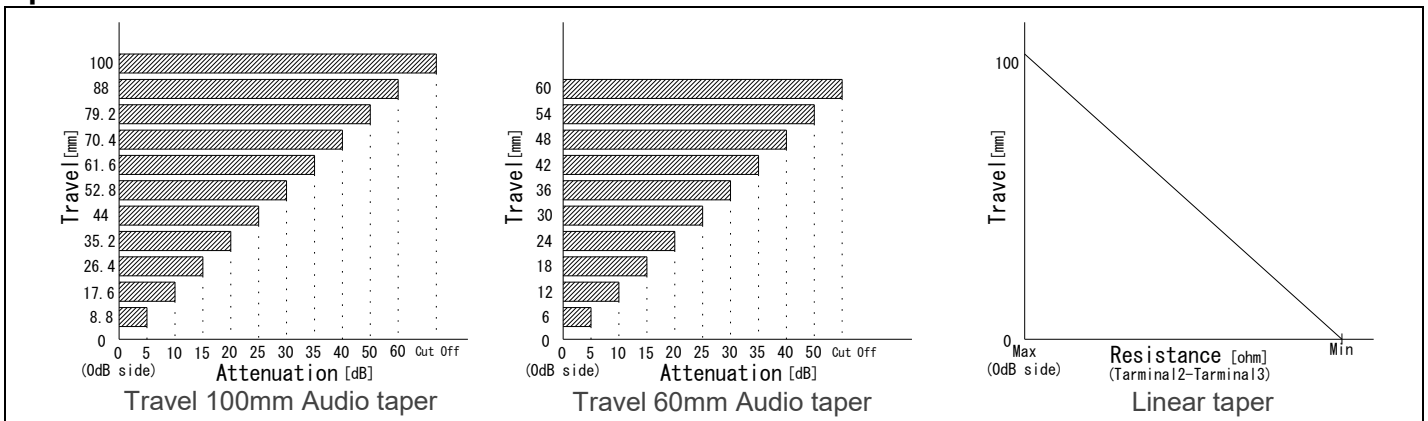
2 LSVH-110 0 - B 10K
 *1 *2 *3 *4 *5

*1	Number of circuit	Blank : Single circuit 2 : Two circuits
*2	Product number and Travel	LSVH-110 : 100mm LSVH-610 : 60mm
*3	Operating force	0 : Standard 1 : High operating force *Only "High type" with CP-1 or CP-2 is applicable for the vertical use.
*4	Output law (Please see figure of output law.)	Blank : Audio taper B : Linear taper
*5	Total resistance	10K : 10kohm

Circuit method (Unbalanced)



Output Law



Electrical specifications

	LSVH-****	2LSVH-****	LSVH-****-B	2LSVH-****-B
Circuit (Unbalanced)	1	2	1	2
Total resistance (1-3)	10kohm			
Total resistance tolerance	±20%			
Taper	Audio taper (Ladder circuit)		Linear taper (Potentiometer circuit)	
Linearity	-		±5%	
Residual resistance	-		50ohm or less	
Attenuation accuracy (Load: high)	0~20dB: ±3.0dB		-	
Matching accuracy	-	0~20dB: 3.0dB	-	
Insertion loss	0.5dB or less		-	
Cut off (15kHz)	95dB Min.		-	
Voltage proof	1 Min. at AC500V			
Insulation resistance	50Mohm or more at DC250V			
Max rating	DC20V (0.1W)			
Sliding noise level	47mV or less (by JIS C 6443)			
Sliding life	100,000 Cycles Min. (18cycles/min, Sliding noise level: Less than 100mV)			

Mechanical specifications

	LSVH-1100 Series	LSVH-6100 Series
Stroke length	100mm±0.5mm	60mm±0.5mm
Operating force	0~0.1N (Standard), 0.1~0.4N (High operating force)	
Strength of Nut-Attached	100Ncm	
Attached Parts	M3 screw (Length: Panel thickness + 3mm)	
Stopper strength	30N	
Push-pull strength	30N	

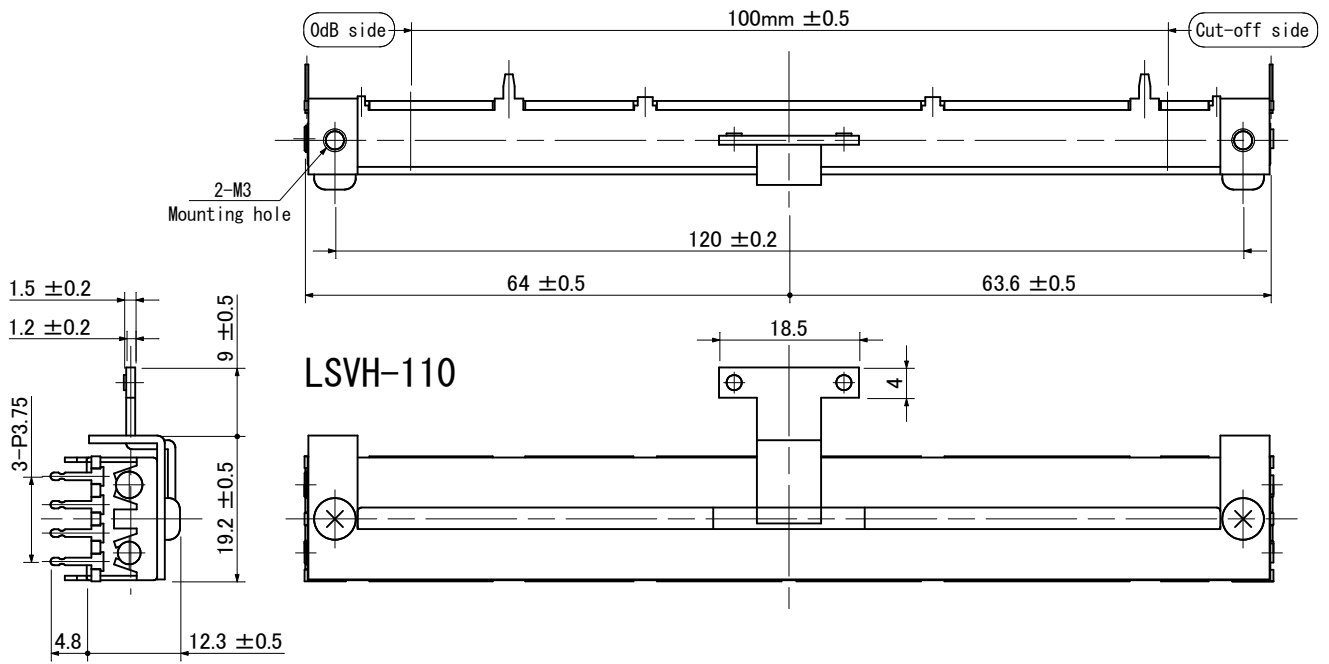
General specifications

	LSVH Series
Temperature range	-10 to +70 degrees C (Operating), -15 to +75 degrees C (Storage)
Relative humidity	90%RH (No condensation)

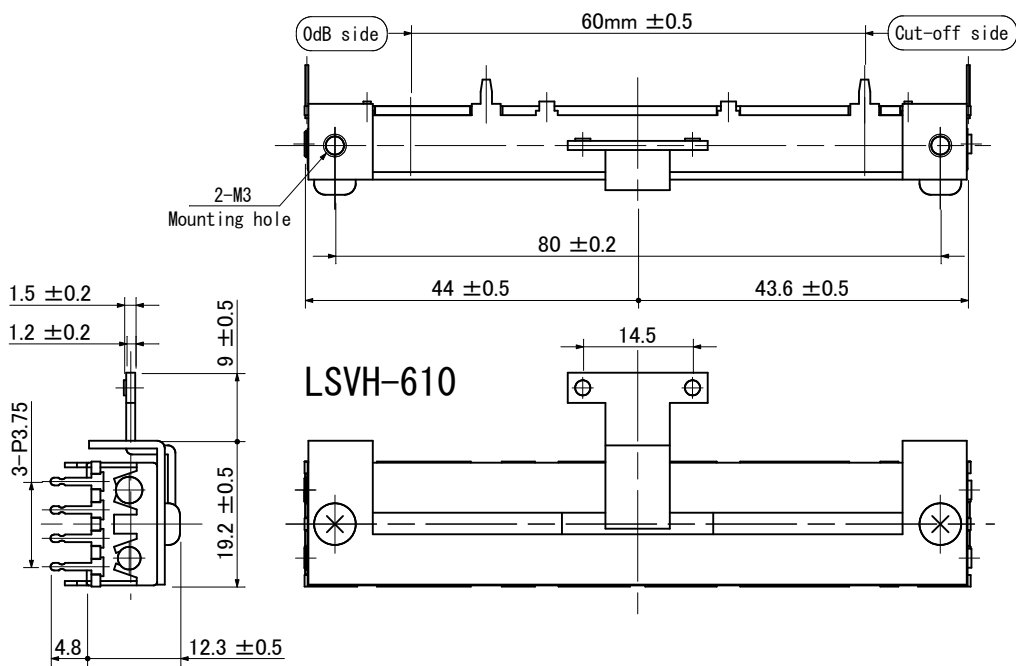
Note

- * Solder heat resistance: 350deg C max, 5sec max, 2 times. (Manual soldering only)
- * Please take care during soldering that the smoke from the solder does not flow inside a fader.
- * If the flux sticks to a resistor board, it may cause a trouble with the fader.
- * Move to one end in Control-bar on the occasion of knob wearing, and can break into it slowly.
- * It is highly recommended that the fault tolerant system is to be set up in the big situation like the live broadcast.

Dimensions



LSVH-110

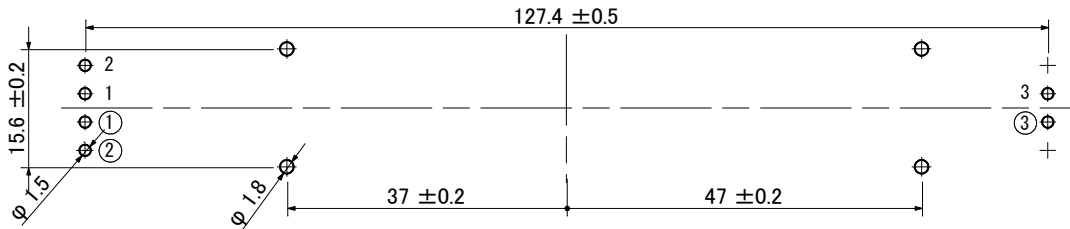


LSVH-610

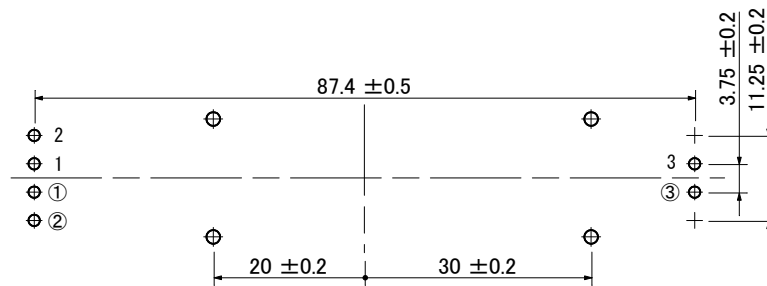
Dimensions

P.C Board Mounting hole detail (Viewed from mounting side)

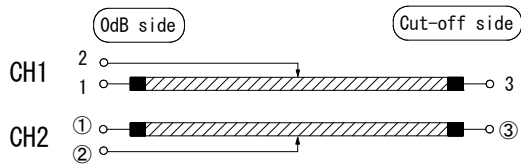
LSVH-110



LSVH-610

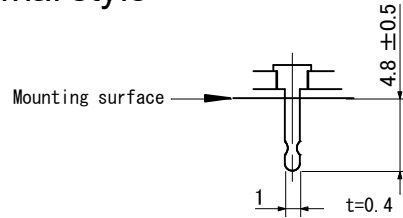


Terminations

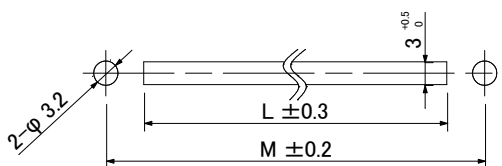


The single unit is not provided with terminal CH2.

Terminal style



Panel cut out dimensions



L=112mm M=120mm LSVH-110

L=72mm M=80mm LSVH-610

The products and their specifications are subject to change without notice.