

MF-9100 Series

PROFADER™

Conductive Plastic

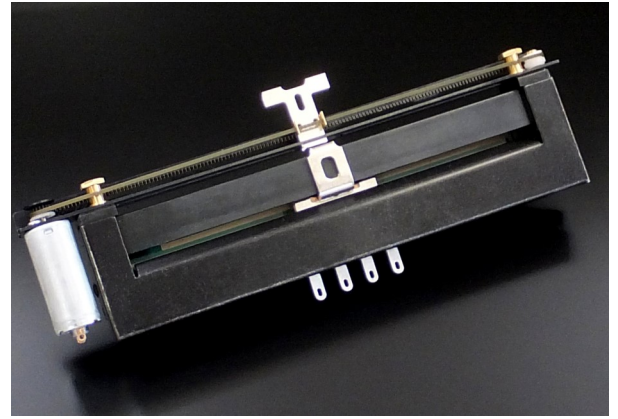
Low sliding noise level & Long sliding life

Good protection against dust

Horizontal style Control-bar design.

High Quality

All parts are highly precise.



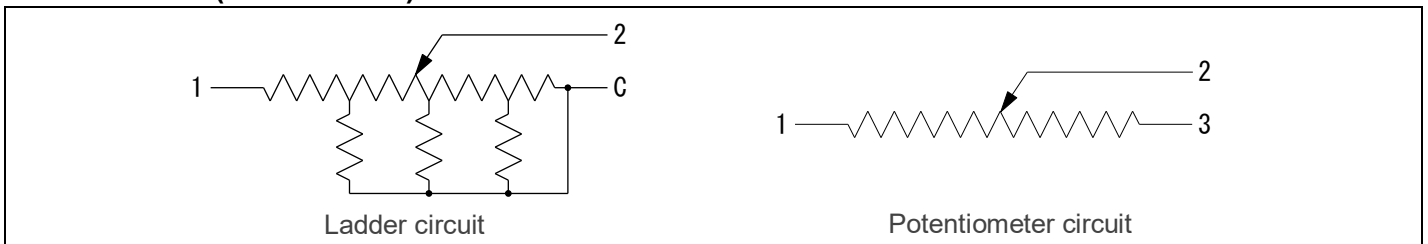
Model number

MF-91 **01** - **B** **10K** - **J12**

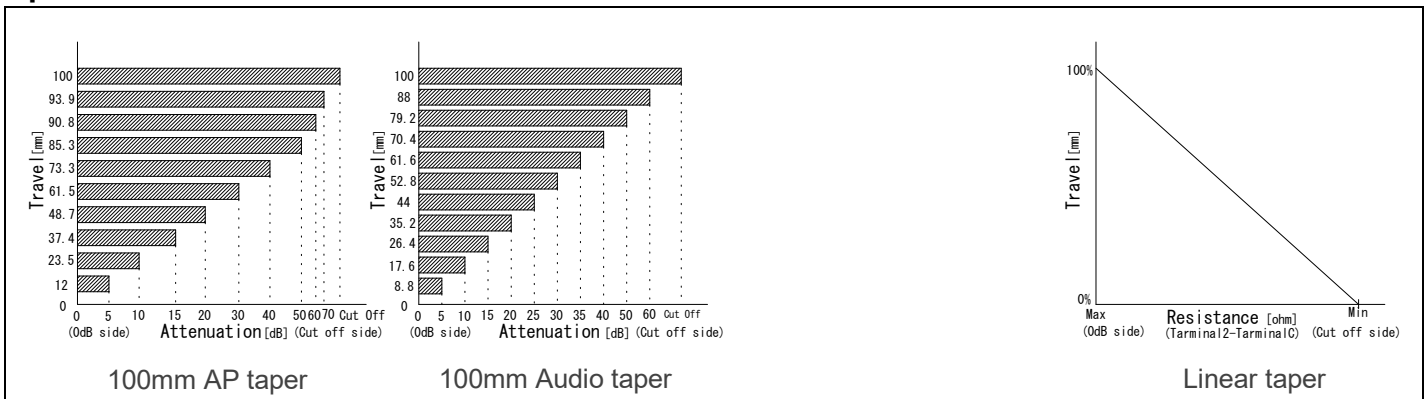
*1 *2 *3 *4 *5

*1	Product number and Travel	MF-91: 100mm
*2	Motor position (Please see dimension.)	01: 0dB side 81: Cut off side
*3	Output law (Please see figure of output law.)	B: Linear taper A: Linear + Audio taper AP: Linear + AP taper
*4	Total resistance	10K: 10kohm 5K: 5kohm
*5	DC Motor type	J12: Coreless motor M8V: Iron cored motor

Circuit method (Unbalanced)



Output Law



Electrical specifications

	MF-91**-B	MF-91**-A	MF-91**-AP
Circuit (Unbalanced)	1	2	
Total resistance (1-C)(1-3)	5k, 10kohm		
Total resistance tolerance	±20%		
Circuit method	Potentiometer circuit (Linear)	Potentiometer circuit (Linear), Ladder circuit (Audio, AP)	
Linearity	±5% (Linear taper)		
Residual resistance	30ohm or less (Linear taper)		
Touch sense track Contact resistance	20ohm or less		
Attenuation accuracy (Load: high)	-	0~20dB: ±1.0dB (10dB: ±0.5dB) ~40dB: ±2.0dB (Audio taper, AP taper)	
Insertion loss	-	0.5dB or less (Audio taper, AP taper)	
Cut off (15Hz)	-	100dB Min. (Audio taper, AP taper)	
Voltage proof	1 Min. at AC500V		
Insulation resistance	50Mohm or more at DC500V		
Max rating	0.1W		
Sliding noise level	47mV or less (by JIS C 6443)		
Sliding life	100,000 Cycles Min. (18cycles/min, Sliding noise level: Less than 100mV)		
Drive motor data	Coreless motor — Input voltage: DC12V, Stall current: 0.55A or less (DC12V) Iron cored motor — Input voltage: DC5V - 11.5V (Nominal DC8V), Stall current: 0.5A or less (DC8V)		

Mechanical specifications

	MF-9100 Series
Stroke length	100mm±0.5mm
Operating force	0.1~0.3N
Strength of Nut-Attached	100Ncm
Attached Parts	M3 screw (Length: Panel thickness +3mm)
Stopper strength	40N
Push-pull strength	40N

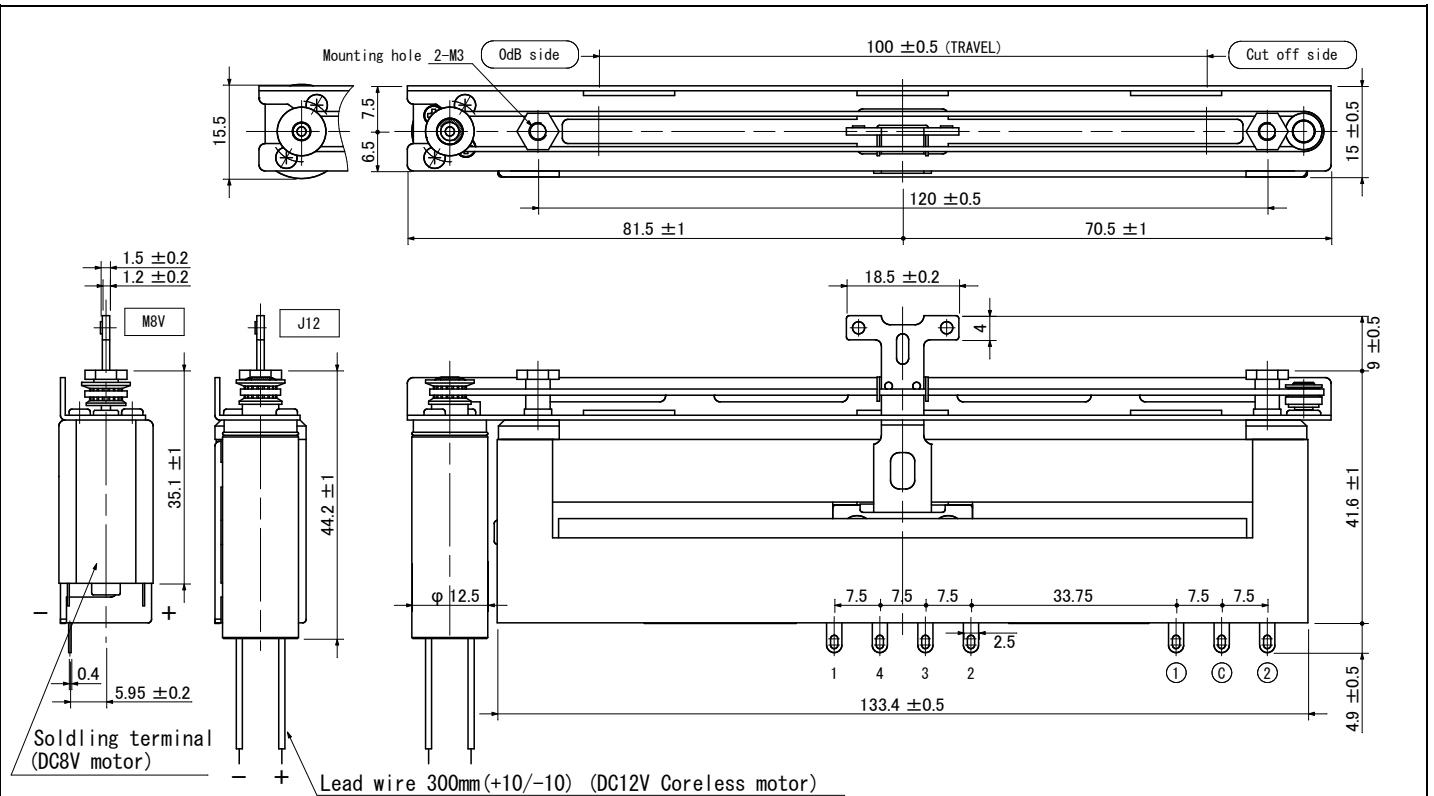
General specifications

	MF-9100 Series
Temperature range	-10 to +50 degrees C (Operating), -15 to +60 degrees C (Storage)
Relative humidity	80%RH (No condensation)

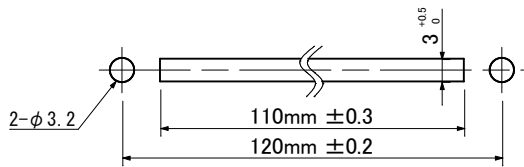
Note

- * Solder heat resistance: 350deg C max, 5sec max, 2 times. (Manual soldering only)
- * Please take care during soldering that the smoke from the solder does not flow inside a fader.
- * If the flux sticks to a resistor board, it may cause a trouble with the fader.
- * Move to one end in Control-bar on the occasion of knob wearing, and can break into it slowly.
- * It is highly recommended that the fault tolerant system is to be set up in the big situation like the live broadcast.

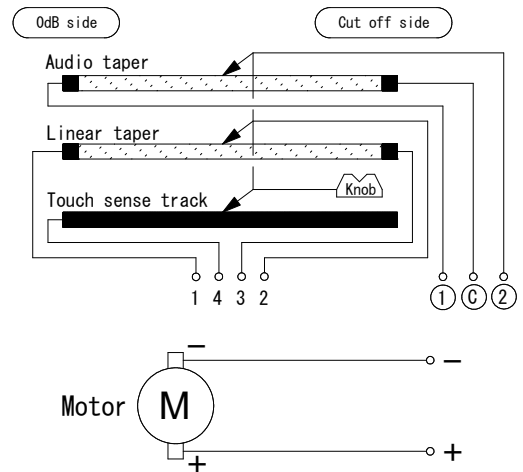
Dimensions - MF-9101 -



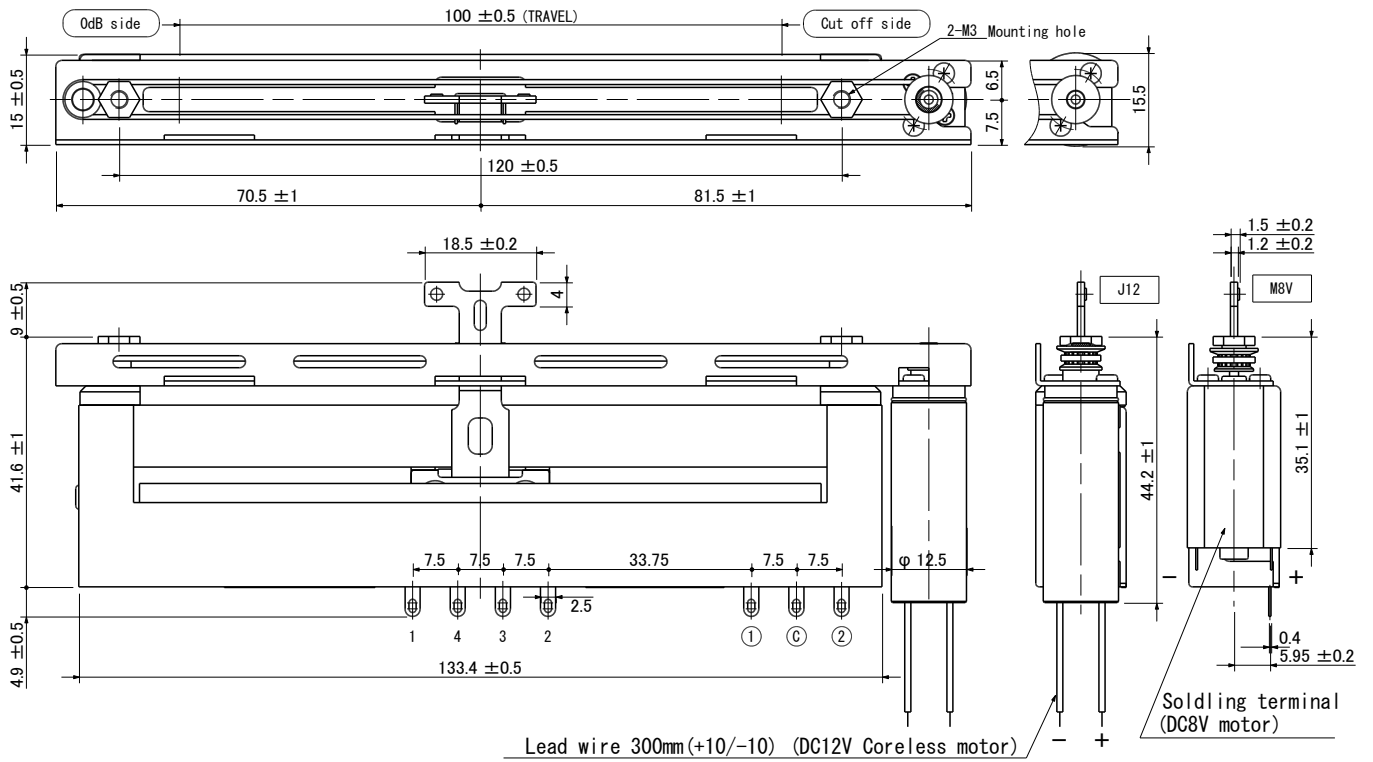
Panel cut out dimensions



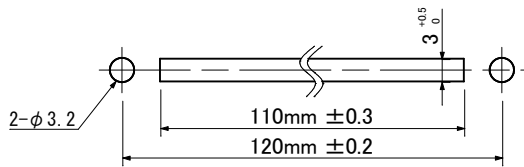
Terminations



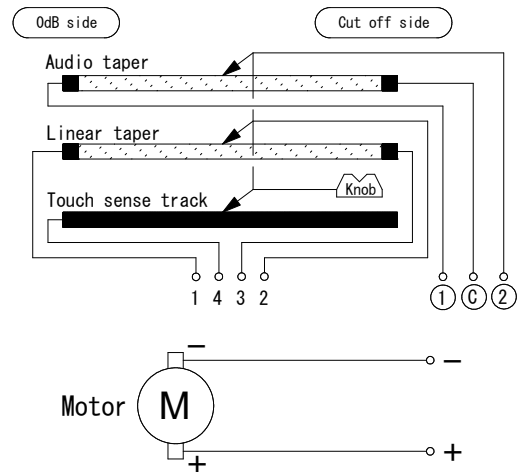
Dimensions - MF-9181 -



Panel cut out dimensions



Terminations



The products and their specifications are subject to change without notice.