

CP2500 (Potentiometer)

Conductive Plastic

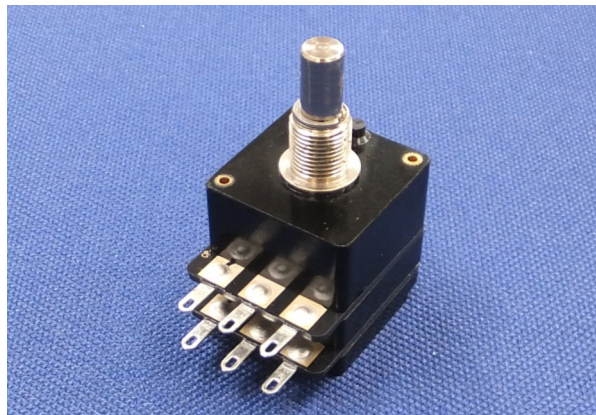
Low rotational noise level

Small size

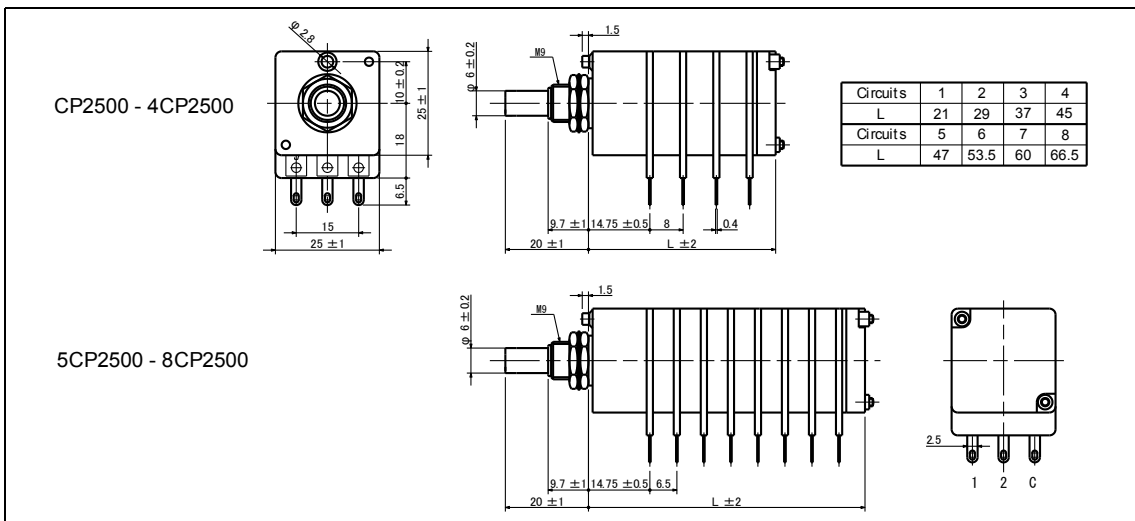
25mm square

High Quality

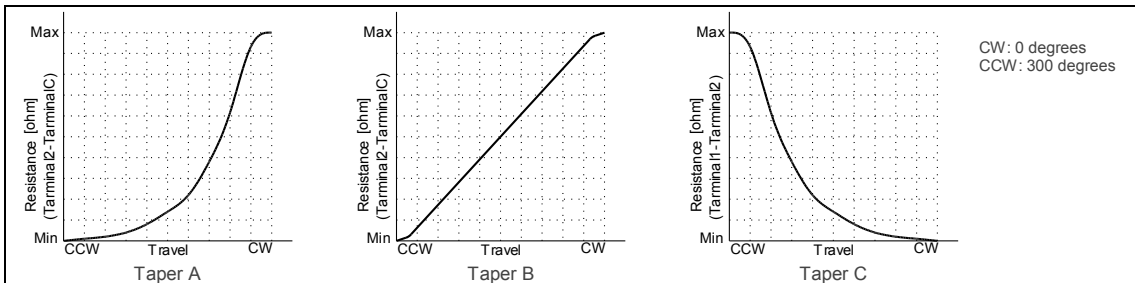
All parts are highly precise.



Dimensions



Output Law



The products and their specifications are subject to change without notice.
TOKYO KO-ON DENPA CO., LTD. www.tkd-corp.com EDP-201502

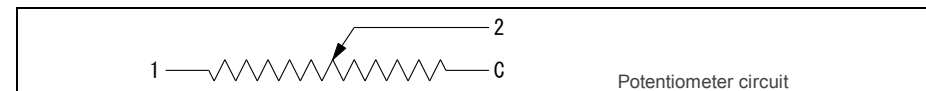
POTENTIOMETER

Model number

2	CP2500	S	-	B	10K
Number of circuit (2-8)	Product type	Mechanical click option		Taper	Total resistance
Blank: single circuit		Blank: Without click		B: Taper-B	
		S: With click (15degrees step)		C: Taper-C	
		C: Center click			
		C**: Special order of the click position			
		** : Between 30 and ~270 degrees (Please contact us for details.)			

2	CP2508	S	-	A	10K
Number of circuit (2-8)	Product type	Mechanical click option		A: Taper-A	Total resistance
Blank: single circuit		Blank: Without click			
		S: With click (15degrees step)			
		C: Center click			
		C**: Special order of the click position			
		** : Between 30 and ~270 degrees (Please contact us for details.)			

Circuit method



Electrical specifications

	CP2508-A	CP2500-B	CP2500-C
Circuit (Unbalanced)	Potentiometer circuit		
Total resistance (1-C)	5k, 10k, 50k, 100kohm		
Total resistance tolerance	±20%		
Taper tolerance (150 degs.)	10~25%	40~60%	10~25%
Residual resistance	Terminal2-C: 1% or 100ohm Terminal1-2: 1%	Terminal1-2 & 2-C: 1% or 100ohm	Terminal1-2: 1% or 100ohm Terminal2-C: 1%
Matching accuracy(150degs)	3dB Max.		
Voltage proof	1 Min. at AC500V		
Insulation resistance	50Mohm or more at DC500V		
Max rating	DC20V (0.1W)		
Rotational noise level	47mV or less (by JIS C 6443)		
Rotational life	100,000 Cycles Min. (18cycles/min)		

Mechanical specifications

	CP2500
Operating angle	300 degrees ±5 degrees
Rotational torque	0.1~1.5Ncm (Different by number of circuit)
Strength of Nut-Attached	50Ncm
Attached Parts	Hexagonal nut (M9)
Stopper strength	50Ncm
Push-pull strength	50N

General specifications

	CP2500
Temperature range	-10 to +70 degrees C (Operating), -15 to +75 degrees C (Storage)
Relative humidity	90%RH (No condensation)

Note

- * Solder heat resistance: 350degrees C max, 5sec max, to twice. (Manual soldering only)
- * Special order of the shaft length is possible. Please contact us for details.