

VP-10A

Conductive Plastic Resistance Board

Low sliding noise level & Long sliding life.

Excellent dust-proof performance

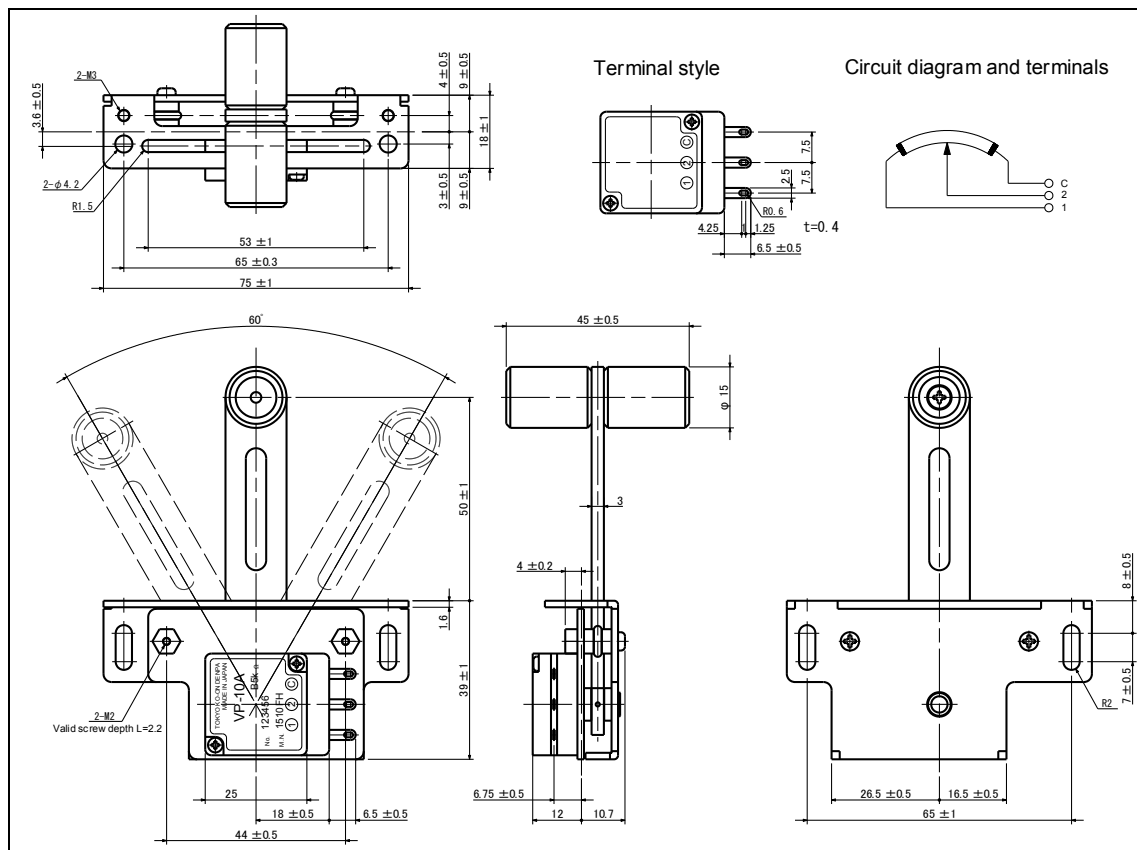
Cover having sealing property.

Two ways of fixed methods.

Either dia. 4.2 hole or M3 screw.



Dimensions



The products and their specifications are subject to change without notice.
TOKYO KO-ON DENPA CO., LTD. www.tkd-corp.com EDC-201605

CONTROLLER

Model number

VP-10A

Product type

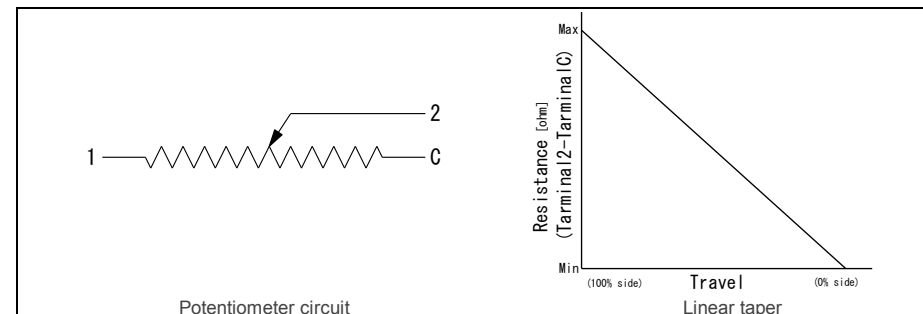
- B

Taper
B: Linear taper

5K

Total resistance
5K: 5kohm
10K: 10kohm

Circuit method / Output law



Electrical specifications

	VP-10A
Circuit (Unbalanced)	1
Total resistance (1-C)	5k, 10kohm
Total resistance tolerance	±20%
Taper	Linear (Potentiometer circuit)
Linearity	±5%
Residual resistance	30ohm or less
Voltage proof	1 Min. at AC500V
Insulation resistance	50Mohm or more at DC500V
Max rating	0.1W
Sliding noise level	47mV or less (by JIS C 6443)
Sliding life	100,000 Cycles Min. (18cycles/min, Sliding noise level: Less than 100mV)

Mechanical specifications

	VP-10A
Control-bar length	50mm±1mm
Operating force	0.3 ~ 0.5N
Operating deg	60 deg ± 1 deg
Stopper strength	50N
Push-pull strength	50N
Strength of screw-attached	20N or less (M3)

General specifications

	VP Series
Temp. range	-10 to +70 deg C (Operating), -15 to +75 deg C (Storage)
Relative humidity	90%RH (No condensation)

Note

- * The knobs are packaged separately.
- * Caution about the tightening torque with M3 screws.
- * Solder heat resistance: 350deg C max, 5sec max, 2 times. (Manual soldering only)
- * This product is precision part. Be careful not to apply the excessive force onto the body.
- * The customization of the control-bar length is not available.
- * No switch options available.