

VP Series

Conductive Plastic

Low sliding noise level & Long sliding life

Two kinds of Control-bar

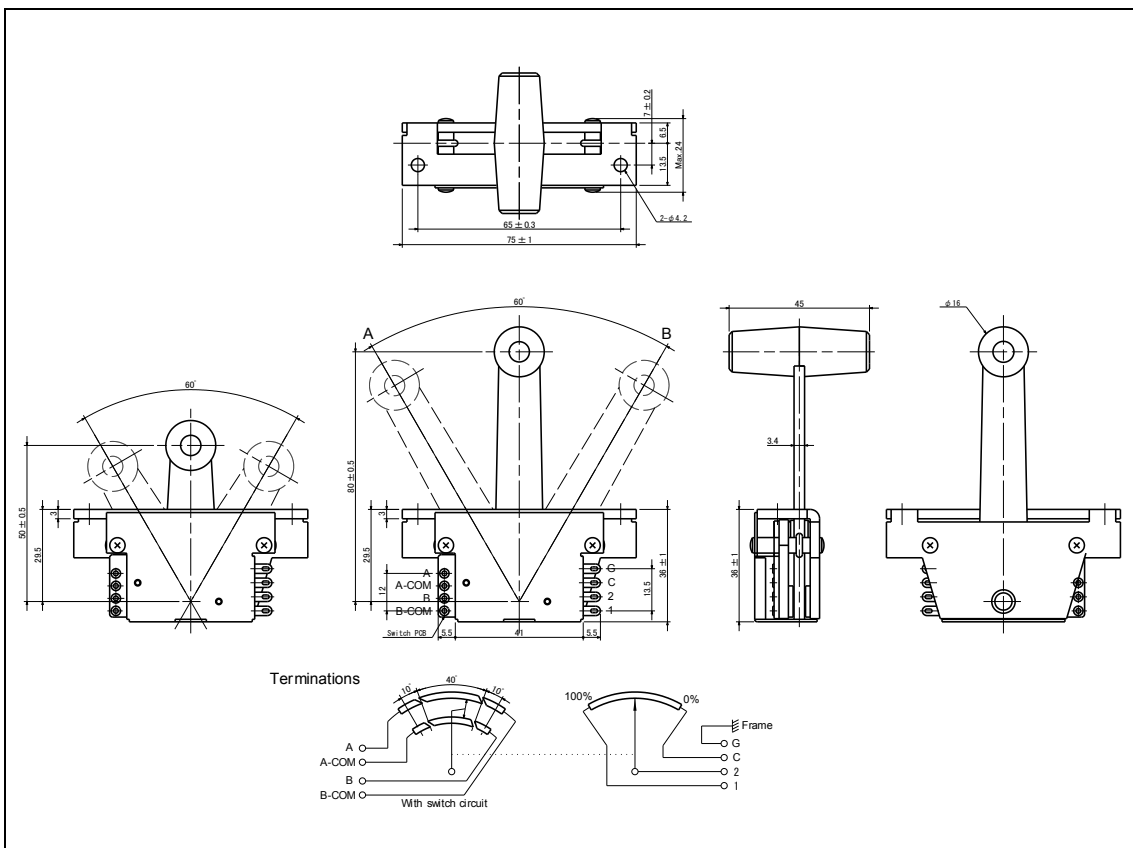
Control-bar length: 50mm or 20mm

Au-plated slide switch

Point of contact is at the position of both ends.



Dimensions



The products and their specifications are subject to change without notice.
TOKYO KO-ON DENPA CO., LTD. www.tkd-corp.com EDC-201504

CONTROLLER

Model number

VP-1002A

Product type (Control-bar length)
VP-1002A: 50mm
VP-502A: 20mm

W

Slide Switch
Blank: Without
W: With

-

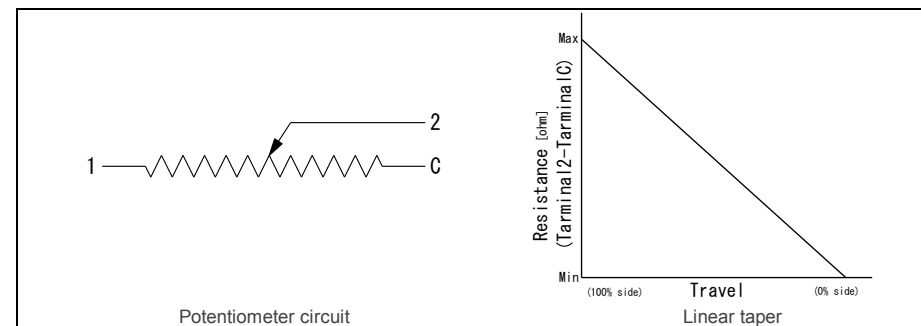
B

Taper
B: Linear taper

10K

Total resistance

Circuit method / Output law



Electrical specifications

VP Series	
Circuit (Unbalanced)	1
Total resistance (1-C)	5k, 10kohm
Total resistance tolerance	±20%
Taper	Linear (Potentiometer circuit)
Linearity	±5%
Residual resistance	30ohm or less
Voltage proof	1 Min. at AC500V
Insulation resistance	50Mohm or more at DC500V
Max rating	DC20V
Rated Resistive Load - Switch	DC30V 50mA
Sliding noise level	47mV or less (by JIS C 6443)
Sliding life	100,000 Cycles Min. (18cycles/min, Sliding noise level: Less than 100mV)

Mechanical specifications

	VP-1002A	VP-502A
Control-bar length	50mm±1mm	20mm±1mm
Operating force	0.3 ~ 0.5N	
Operating deg	60 deg ± 1 deg	
Stopper strength	50N	
Push-pull strength	50N	

General specifications

VP Series	
Temp. range	-10 to +70 deg C (Operating), -15 to +75 deg C (Storage)
Relative humidity	90%RH (No condensation)

Note

- * Solder heat resistance: 350deg C max, 5sec max, 2 times. (Manual soldering only)
- * Please take care during soldering that the smoke from the solder does not flow inside a fader.
- * If the flux sticks to a resistor board, it may cause a trouble with the fader.