

CV21

Au-plated contacts

Low contact resistance

Small size

21mm outside diameter

Reliable

High tightness



ROTARY SWITCH

Model number

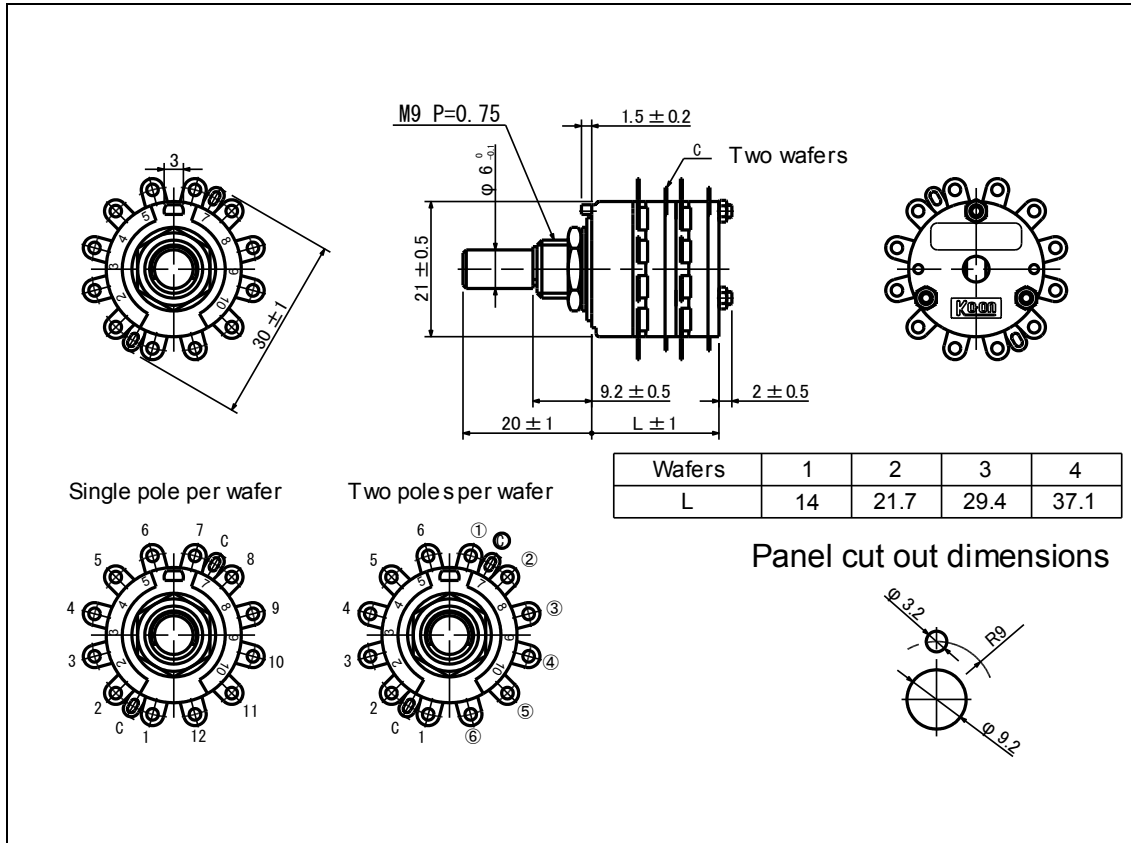
CV21G - 2 2 08 R 20 M 30

Product type *A *B *C *D *E *F *G

*A Number of Wafers
 *B Number of Poles
 *C Number of contact Per Poles
 *D Type of Shaft
 *E Length of Shaft
 *F Switching method
 *G Indexing angle

R: Round
F: Flat
S: Slot
 20mm standard
Blank: Non-shorting
M: Shorting
 30 degrees

Dimensions



Electrical specifications

CV21								
Max rating	AC100V 300mA, DC25V 1A							
Contact resistance	15mohm or less							
Voltage proof	1 Min. at AC500V							
Insulation resistance	100Mohm or more at DC500V							
Rotational life (No-load)	30,000 Cycles Min. (18cycles/min, Contact resistance: Less than 30mohm)							
Production range	Number of wafers	1	2	3	4			
	Number of Poles	1	2	4	3	6	4	8
	Number of contact per poles	12	6	12	6	12	6	12

Mechanical specifications

CV21	
Indexing angle	30 degrees
Rotational torque	4~11Ncm (Different by number of circuit)
Strength of Nut-Attached	50Ncm
Attached Parts	Hexagonal nut (M9)
Stopper strength	70Ncm
Push-pull strength	50N

General specifications

CV21	
Temp. range	-10 to +70 degrees C (Operating), -15 to +75 degrees C (Storage)
Relative humidity	90%RH (No condensation)

Note

- * Solder heat resistance: 350degrees C max, 5sec max, 2 times. (Manual soldering only)
- * Special order of the shaft length is possible. Please contact us for details.