

# 36R Series

# ATTENUATOR

## Change of the whirl-stop position

13.5mm or 10mm

## Au-plated contacts

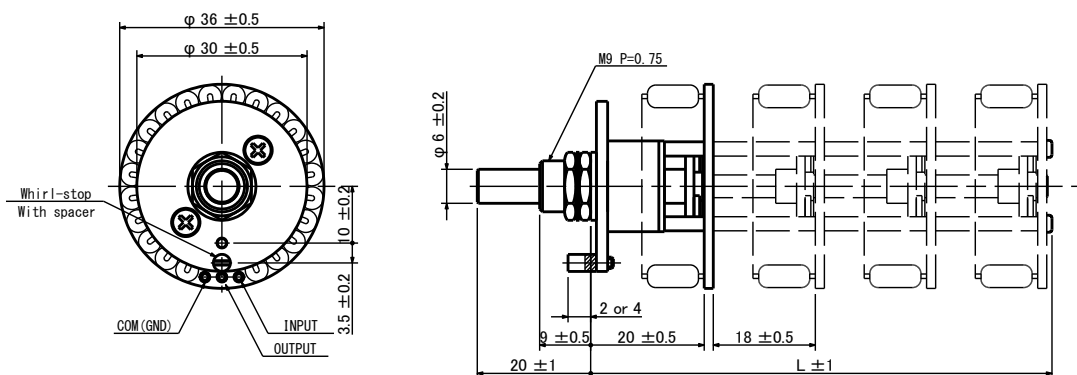
Low contact resistance

## Multiple contact

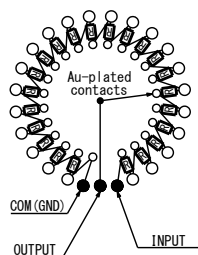
23 positions



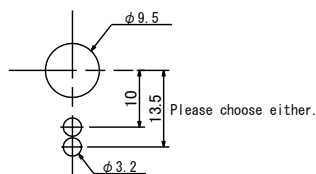
## Dimensions



## Terminations



## Panel cut out dimensions



Number of Wafers	L [mm]
1	22.5
2	42.1
3	61.7
4	81.3

The position of the whirl-stop can be changed easily by removing with the flat-head screwdriver.

There is a spacer for the whirl-stop extension. When you are unnecessary, please take it off.

## Model number

<b>36R</b>	-	<b>11</b>		<b>23</b>	-	<b>10K</b>
Product type		Number of circuits		Number of contacts		Total resistance
		11: Single circuit		(standard)		10K: 10kohm
		22: 2 circuits				50K: 50kohm
		33: 3 circuits				100K: 100kohm
		44: 4 circuits				

## Electrical specifications

36R Series	
Circuit method	Potentiometer (stepped)
Attenuation (Load: High)	0, 2, 4, 6, ... (2dB step) ..., 30, 33, 36, 40, 45, 50, 60, Cut off Attenuation decreases with the clockwise (Up to Signal level).
Attenuation accuracy	±0.5dB
Max attenuation	60dB ± 0.5dB
Cut off	80dB Min.
Matching accuracy	0.5dB or less (0dB - 60dB)
Number of circuit	Max. 4
Total resistance (Input-Com)	10kohm, 50kohm, 100kohm ±3%
Insertion loss	0.3dB or less
Input level	Max. 0.5W
Frequency range	DC ~ 20kHz
Voltage proof	1 Min. at AC250V
Insulation resistance	100Mohm or more at DC500V
Rotational life	30,000 Cycles Min. (18cycles/min, Attenuation accuracy: ±1dB or less)

## Mechanical specifications

36R Series	
Operating angle	330degrees ±2degrees
Step angle	15degrees ±1degrees
Strength of nut-attached	50Ncm
Attached parts	Hexagonal nut (M9)
Stopper strength	50Ncm
Push-pull strength	50N

## Other specifications

36R Series	
Temp. range	-10 to +70 degrees C (Operating), -15 to +75 degrees C (Storage)
Relative humidity	90%RH (No condensation)

## Note

- \* Solder heat resistance: 390degrees C max, 3sec max (or 350degrees C, 5sec max), 2 times. (Manual soldering only)
- \* Please take care during soldering that the smoke from the solder does not flow inside a switch.
- \* Special order is not acceptable.
- \* This product is an attenuator of the types to change resistance. Therefore, a switching noise may occur.
- \* High impedance: Infinity. (or more than 20 times of total resistance)