

DSF-208-350-2



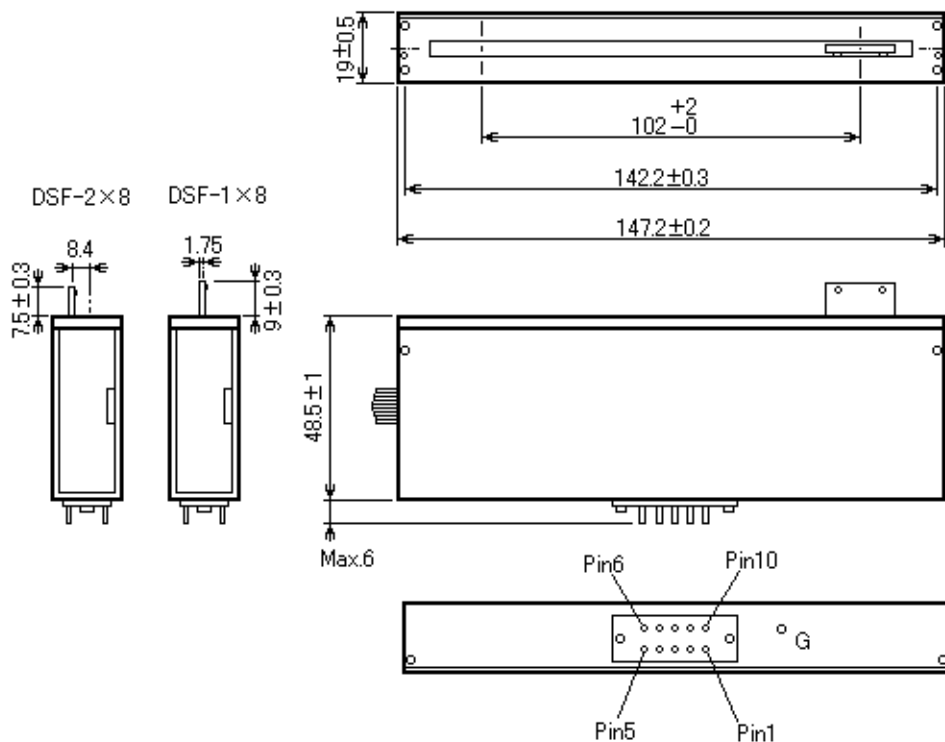
Numbering System

DSF - **1** **08** - **2** **25** - **0**

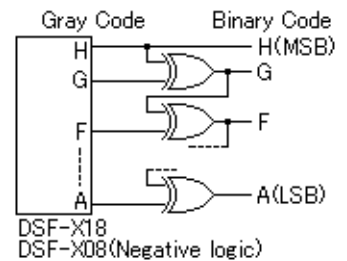
① ② ③ ④ ⑤ ⑥

- | | |
|--------------------------|---|
| ① DSF | Digital Fader |
| ② Outer dimension | 1:CPA-513 type compatible 2:CPA-203 type compatible |
| ③ Output bit numbers | 08:8bit negative logic 18:8bit positive logic |
| ④ Output terminal form | 1:Soldering terminal 2:Ribbon cable |
| ⑤ Length of ribbon cable | Unit : mm (00:Soldering terminal) |
| ⑥ Knob color | 0:Black , 2:Red , 3:Orange 4:Yellow , 5:Green , 6:Blue 8:Gray , 9:White , A:Ivory |

Dimensions



Code change circuit example



A circuit to change into the Pure Binary Code form the Gray Binary Code.

Pin No.

- | | |
|----------|-----------|
| 1. B out | 6. COM |
| 2. D out | 7. G out |
| 3. F out | 8. E out |
| 4. H out | 9. C out |
| 5. n. c. | 10. A out |
- A=LSB , H=MSB
G: Case earth

Specifications

| | | | |
|-----------------|-------------------------------|-----------------------|---------------------|
| Model | DSF-1x8-xxx-x , DSF-2x8-xxx-x | Movement Torque | 50±20 g-cm |
| Travel | 102 +2/-0 mm | Insulation Resistance | 100MΩ at 100volt DC |
| Resolutions | 0.4mm | Weight | Less then 190g |
| Output | 8Bit Linear Gray Code | Knob type | TKD's CP-1 Type |
| Maximum Voltage | 50 Volt DC | | |
| Maximum Current | 100mA | | |
| Options | | | |

The mark board, Gray/Binary, Gray/BCD code conversion circuit and DA converter will accept a consultation.