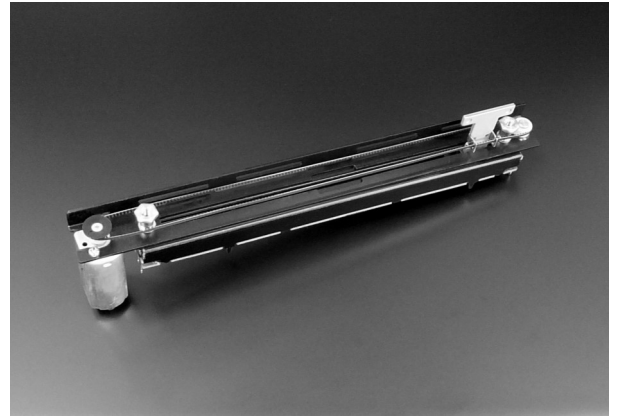


LMA5 Series

Direct print resistance board

Special surface treatment (Long sliding life)



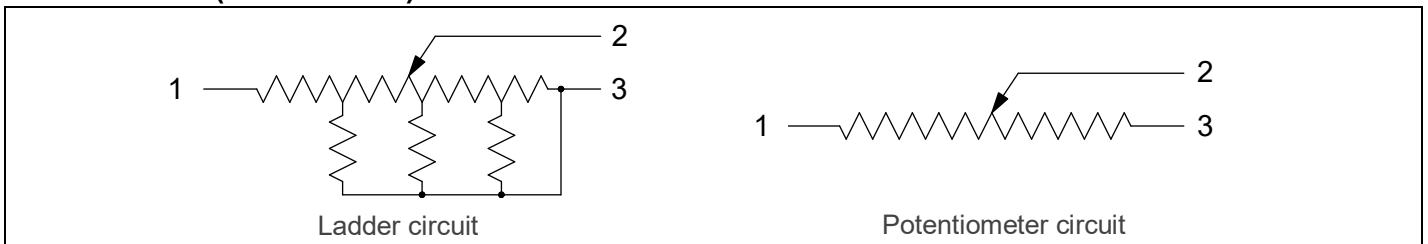
Model number

LMA5-11 **01** - **B** **10K** - **M8V**

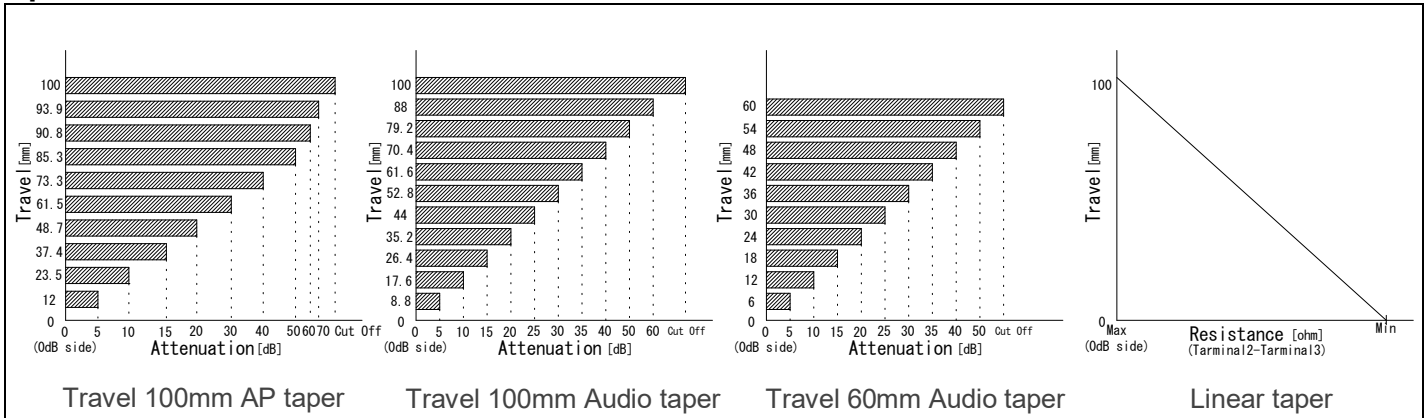
*1 *2 *3 *4 *5

*1	Product number and Travel	LMA5-11 : 100mm LMA5-61 : 60mm
*2	Motor position (Please see dimension.)	01 : 0dB side
*3	Output law (Please see figure of output law.)	B : Linear taper A : Linear + Audio taper AP : Linear + AP taper (LMA5-11 only)
*4	Total resistance	10K : 10kohm 5K : 5kohm
*5	DC Motor type	M8V : Iron cored motor

Circuit method (Unbalanced)



Output Law



Electrical specifications

	LMA5-1101-B	LMA5-6101-B	LMA5-1101-A	LMA5-6101-A	LMA5-1101-AP
Circuit (Unbalanced)	1		2		
Total resistance (1-C)(1-3)	5k, 10kohm				
Total resistance tolerance	±20%				
Taper	Linear taper (Potentiometer circuit)		Linear taper (Potentiometer circuit), Audio taper / AP taper (Ladder circuit)		
Linearity	±5% (Linear taper)				
Residual resistance	50ohm or less (Linear taper)				
Touch sense track Contact resistance	30ohm or less				
Attenuation accuracy (Load: high)	-		0~20dB: ±3.0dB (Audio taper, AP taper)		
Insertion loss	-		0.5dB or less (Audio taper, AP taper)		
Cut off (15kHz)	-		95dB Min. (Audio taper, AP taper)		
Voltage proof	1 Min. at AC500V				
Insulation resistance	50Mohm or more at DC100V				
Max rating	DC20V (0.1W)				
Sliding noise level	47mV or less (by JIS C 6443)				
Sliding life	100,000 Cycles Min. (18cycles/min, Sliding noise level: Less than 100mV)				
Drive motor data	Iron cored motor — Input voltage: DC5V - 11.5V (Nominal DC8V), Stall current: 0.5A or less (DC8V)				

Mechanical specifications

	LMA5-1101	LMA5-6101
Stroke length	100mm±0.5mm	60mm±0.5mm
Operating force	0.1~0.3N	
Strength of Nut-Attached	100Ncm	
Attached Parts	M3 screw (Length: Panel thickness + 3~5mm)	
Stopper strength	30N	
Push-pull strength	30N	
Alignment to the center	±0.5mm (State not to pressure control-bar, Measurement position: Mounting surface)	

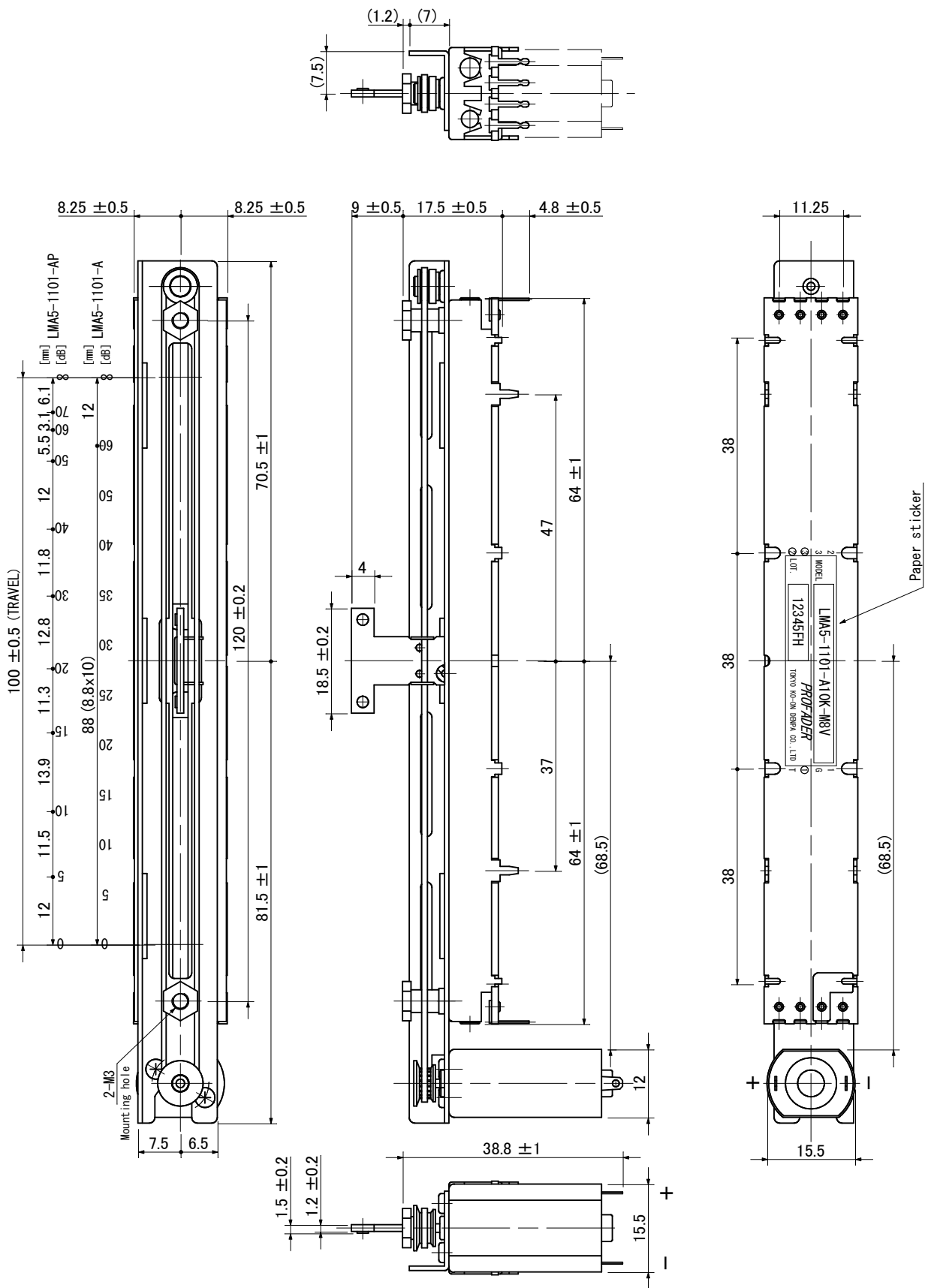
General specifications

	LMA5 Series
Temperature range	-10 to +50 degrees C (Operating), -15 to +60 degrees C (Storage)
Relative humidity	80%RH (No condensation)

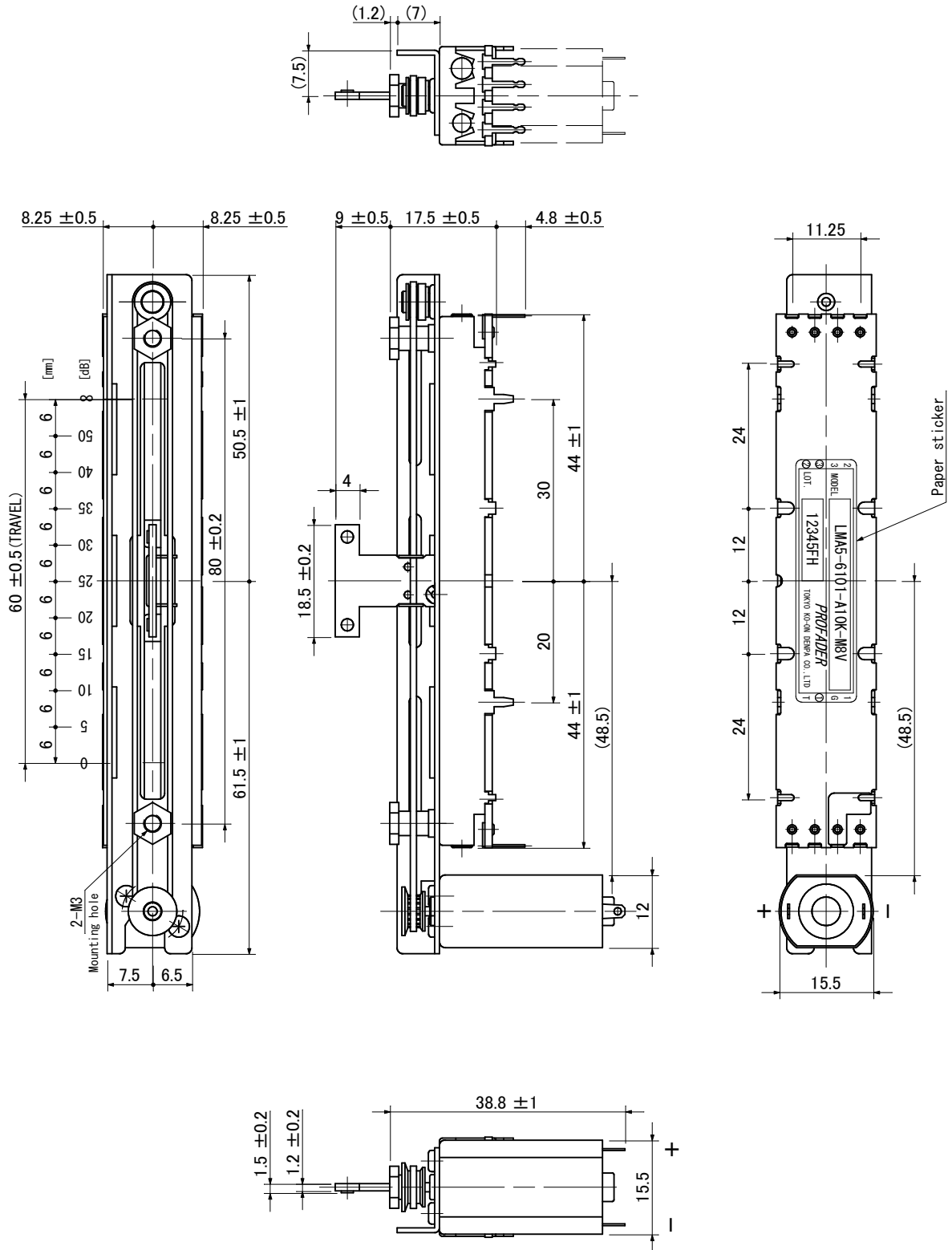
Note

- * Solder heat resistance: 350deg C max, 5sec max, 2 times. (Manual soldering only)
- * Please take care during soldering that the smoke from the solder does not flow inside a fader.
- * If the flux sticks to a resistor board, it may cause a trouble with the fader.
- * Move to one end in Control-bar on the occasion of knob wearing, and can break into it slowly.
- * High impedance: More than 20 times of total resistance.
- * It is highly recommended that the fault tolerant system is to be set up in the big situation like the live broadcast.

Dimensions - LMA5-1101

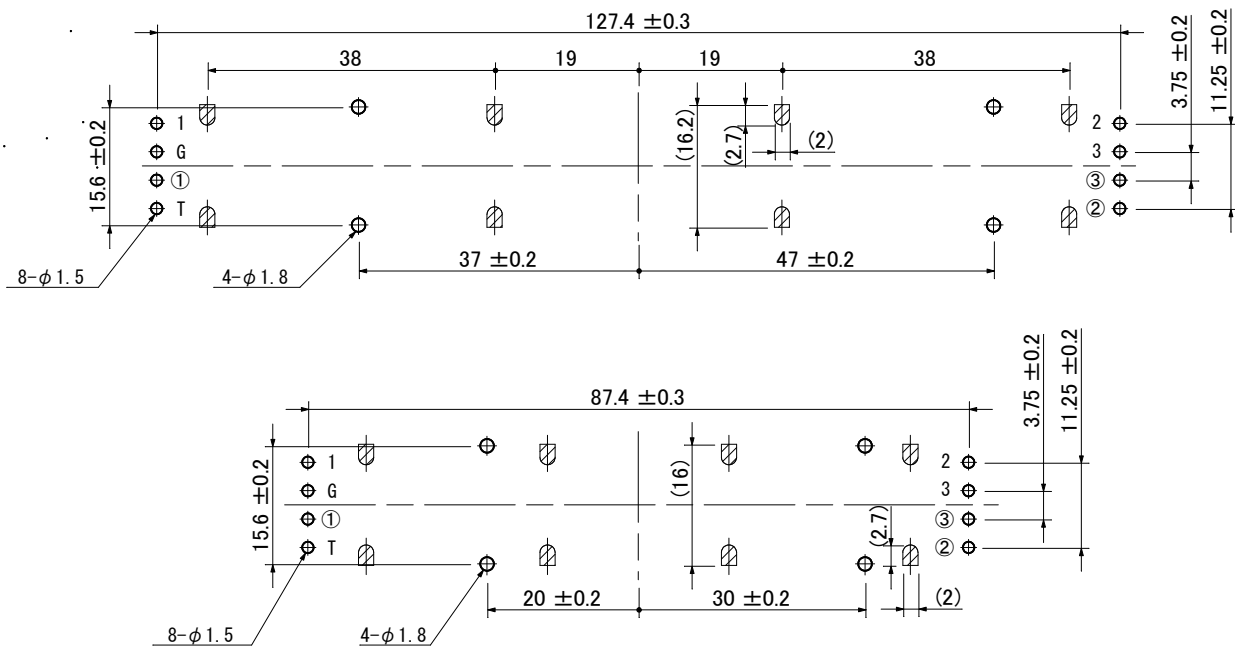


Dimensions - LMA5-6101

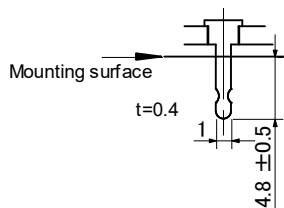


Dimensions

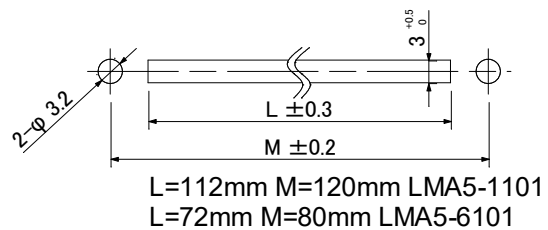
P.C.Board Mounting hole detail (Viewed from mounting side)



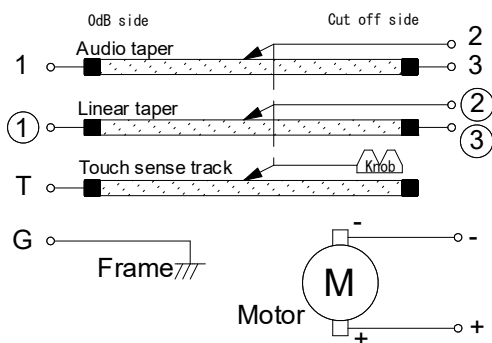
Terminal style



Panel cut out dimensions



Terminations



The products and their specifications are subject to change without notice.