

# TCF-45L Series

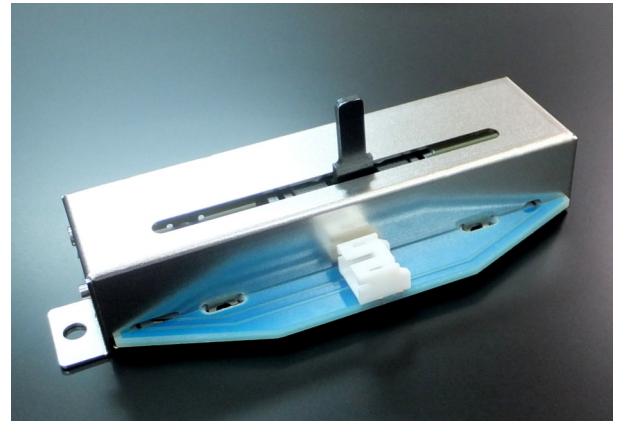
**PROFADER™**

## Low profile design

The mounting structure has been modified to accommodate thin-type equipment.

## Connector Terminal style

Easily exchanging.



## Model number

**TCF-45L** - **B** **50K**  
\*1 \*2 \*3

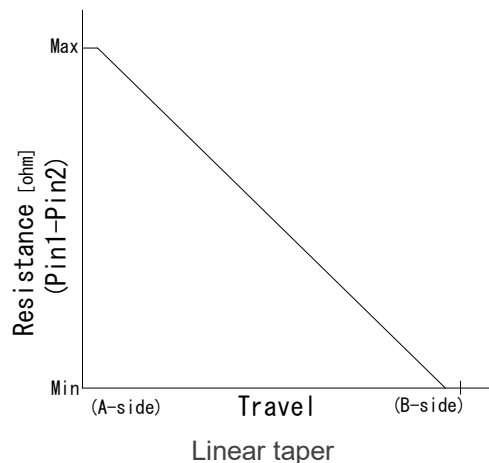
*1	Product number and Travel	<b>TCF-45L</b> : 45mm
*2	Output law (Please see figure of output law.)	<b>B</b> : Linear taper
*3	Total resistance	<b>10K</b> : 10kohm <b>50K</b> : 50kohm

## Circuit method (Unbalanced)



Potentiometer circuit

## Output Law



**Electrical specifications**

	TDF-45L
Circuit (Unbalanced)	1 (Standard)
Total resistance (1-3)	10kohm , 50kohm
Total resistance tolerance	±20%
Taper	Linear taper (Potentiometer circuit)
Linearity	±5%
Residual resistance	10ohm or less
Voltage proof	1 Min. at AC100V
Insulation resistance	50Mohm or more at DC250V
Max rating	DC20V (0.1W)
Sliding noise level	47mV or less (by JIS C 6443)
Sliding life	100,000 Cycles Min. (18cycles/min, Sliding noise level: Less than 100mV)
Connector (3pin)	S3B-PH (PH Series: J.S.T.MFG.CO.,LTD.)

**Mechanical specifications**

	TCF-45L Series
Stroke length	45mm±0.5mm
Operating force	0~0.2N
Stopper strength	40N
Push-pull strength	30N
Alignment to the center	±0.5mm (State not to pressure control-bar, Measurement position: Mounting surface)

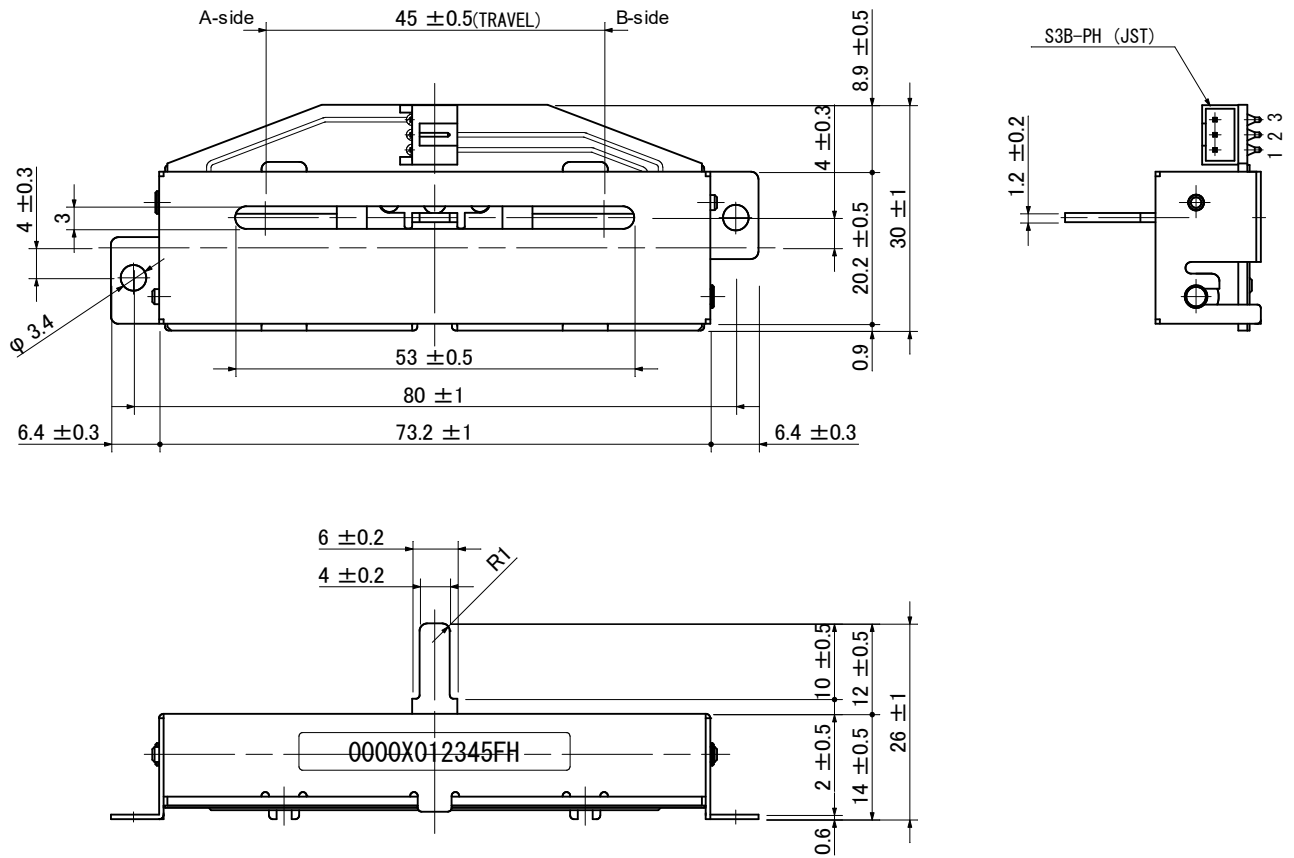
**General specifications**

	TCF-45L Series
Temperature range	-10 to +60 degrees C (Operating), -15 to +65 degrees C (Storage)
Relative humidity	80%RH (No condensation)

**Note**

\* Move to one end in Control-bar on the occasion of knob wearing, and can break into it slowly.

Dimensions - TCF-45L



Circuit diagram and terminations

