

Type-P2550, Type-P2560 Series

ATTENUATOR

Au-plated contacts

Low contact resistance

Small size

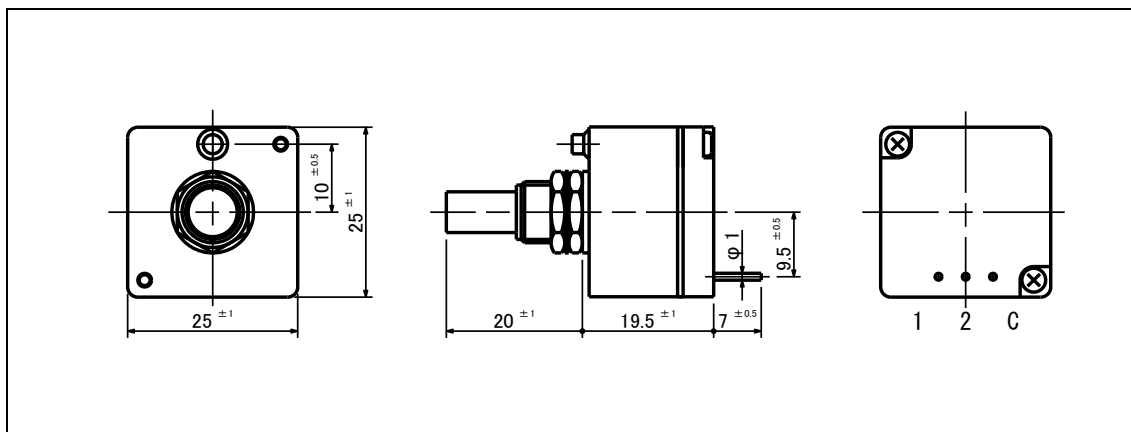
25mm square

Multiple contact

22 or 21 positions



Dimensions



Standard lineups

Model number	Max attenuation	Attenuation types	Total number of steps	Cut off	Direction of attenuation	
P2551	50dB	BTS-50dB	21	With	CCW	
P2552			20	-		
P2553	40dB	2dB x 20	21	With		
P2554			20	-		
P2555	20dB	1dB x 20	21	With		
P2556			20	-		
P2557	10dB	0.5dB x 20	21	With		
P2558			20	-		
P2563	40dB	2dB x 20	21	With		CW
P2564			20	-		
P2565	20dB	1dB x 20	21	With		
P2566			20	-		
P2567	10dB	0.5dB x 20	21	With		
P2568			20	-		

Model number

P2551

Model No.
(P2551~P2568)

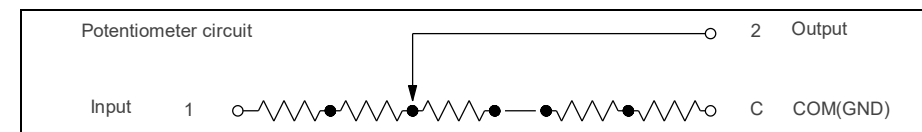
S

Mechanical click option
Blank: Without click
S: With click (15degrees step)

- **10K**

Total resistance

Circuit method



Electrical specifications

P2550, P2560 Series	
Circuit method	Potentiometer (stepped)
Attenuation (Load: high)	0, 2, 4, ... (2dB step) ... , 30, 32, 34, 37, 42, 50 (BTS-50dB)
Attenuation accuracy	±0.3dB
Max attenuation	50dB ±0.6dB (BTS-50dB)
Cut off	80dB Min.
Matching accuracy	0.5dB or less (0dB - 50dB)
Number of circuit	Single only
Total resistance	1kohm, 7kohm, 10kohm, 100kohm ±3%
Insertion loss	0.3dB or less
Input level	Max. 0.1W
Frequency range	DC ~ 20kHz
Voltage proof	1 Min. at AC500V
Insulation resistance	100Mohm or more at DC500V
Rotational life	30,000 Cycles Min. (18cycles/min, Attenuation accuracy: ±0.5dB or less)

Mechanical specifications

P2550, P2560 Series	
Operating angle	15degrees x (Total number of steps) ±2degrees
Step angle	15degrees ±1degrees
Strength of nut-attached	50Ncm
Attached parts	Hexagonal nut (M9)
Stopper strength	50N
Push-pull strength	50N

Other specifications

P2550, P2560 Series	
Temp. range	-10 to +70 degrees C (Operating), -15 to +75 degrees C (Storage)
Relative humidity	90%RH (No condensation)

Note

- * Solder heat resistance: 350degrees C max, 5sec max, 2 times. (Manual soldering only)
- * Special order of the shaft length is possible. Please contact us for details.
- * Load:high - High impedance: Infinity. (or more than 20 times of total resistance)