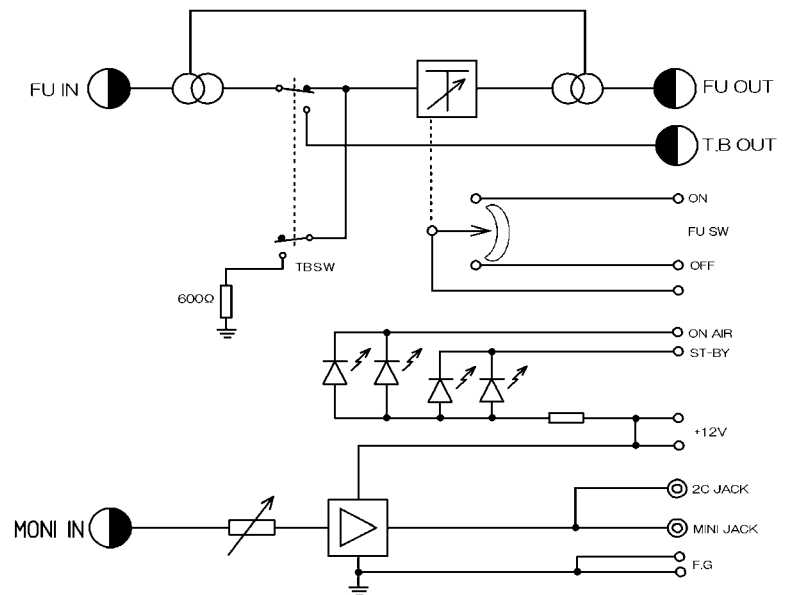
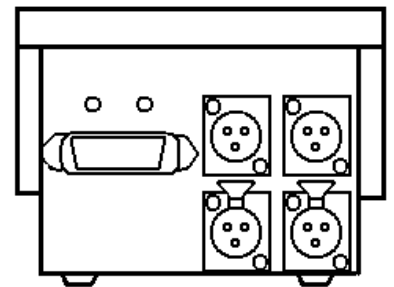
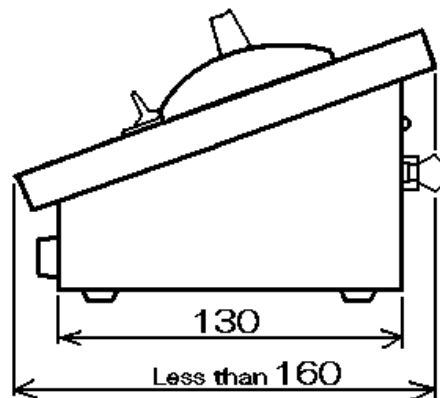
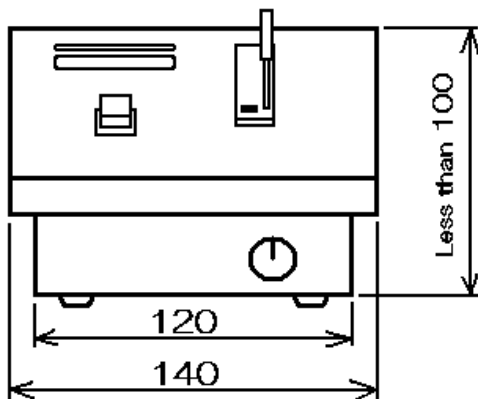


MINI COUGH-89

MINI COUGH-89
BLOCK DIAGRAM

Dimensions



Specifications

Maximum input level	+14dBm
Circuit	H-balanced 600 ohms
Attenuation	≥ 80 dB
Monitor jack	One suitable for monitor jack No.110 One Mini jack
Power supply	+12V
Weight	1.6Kg
Accessories	57FE-30240-20N(D8)
Measurement	140W x 100H x 160D