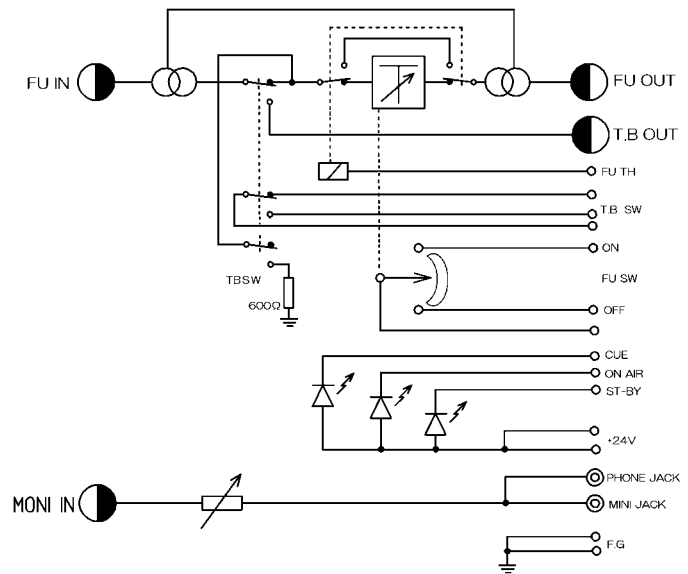
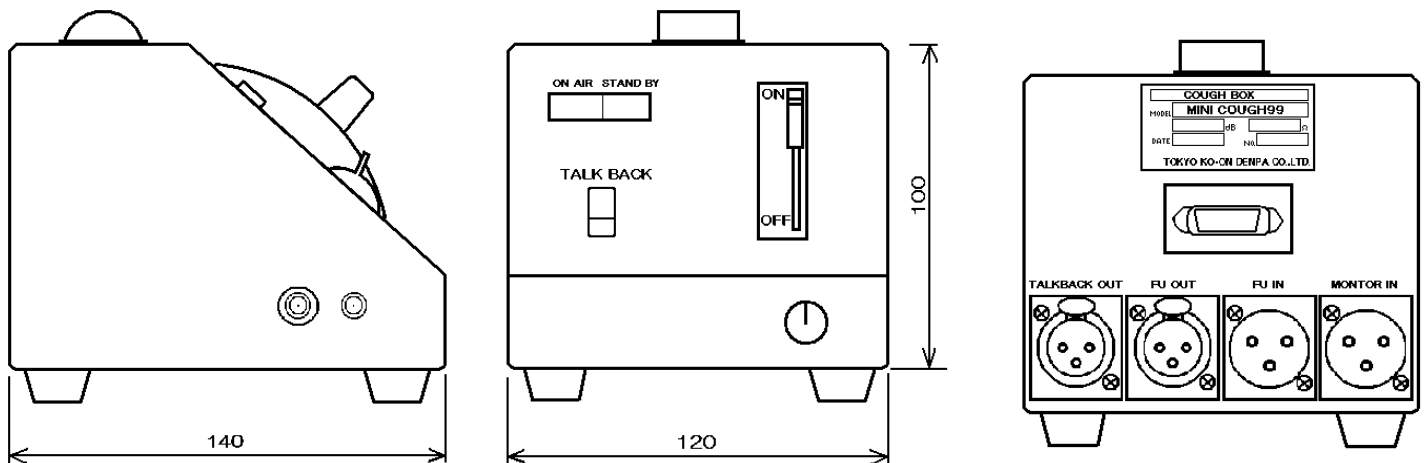


MINI COUGH-99

MINI COUGH-99
BLOCK DIAGRAM

Dimensions



Rear panel

Specifications

Maximum input level	+14dBm
Circuit	H-balanced 600 ohms
Attenuation	≥ 80 dB
Monitor jack	One suitable for monitor jack One phone jack One mini jack (Parallel)
Power supply	+24V
Weight	1.3Kg
Accessories	HDAB15S HAD-CTF1 (One each)
Measurement	120(W) x 100(H) x 140(D)